

SHARP PARTS GUIDE

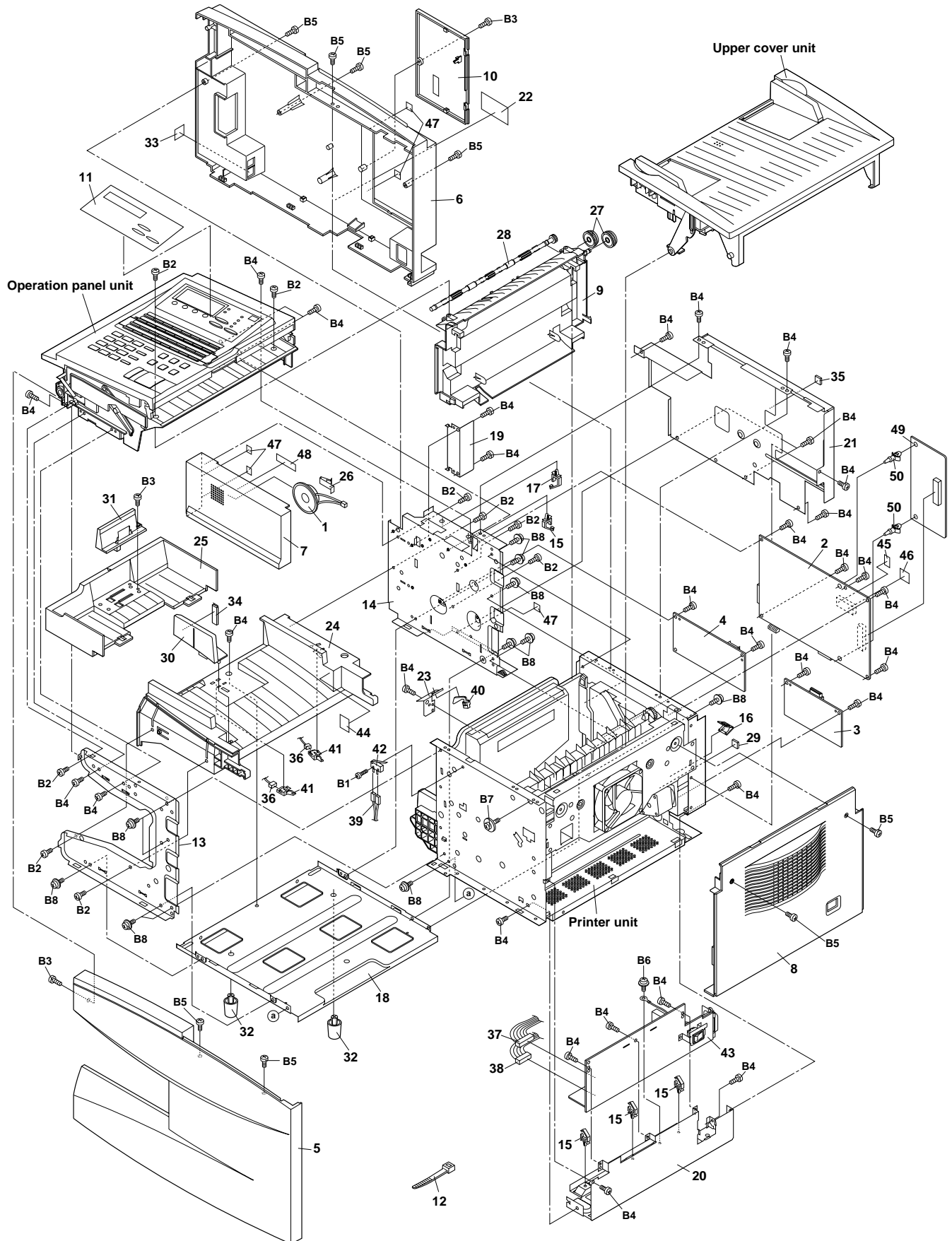
MODEL FO-5700

CONTENTS

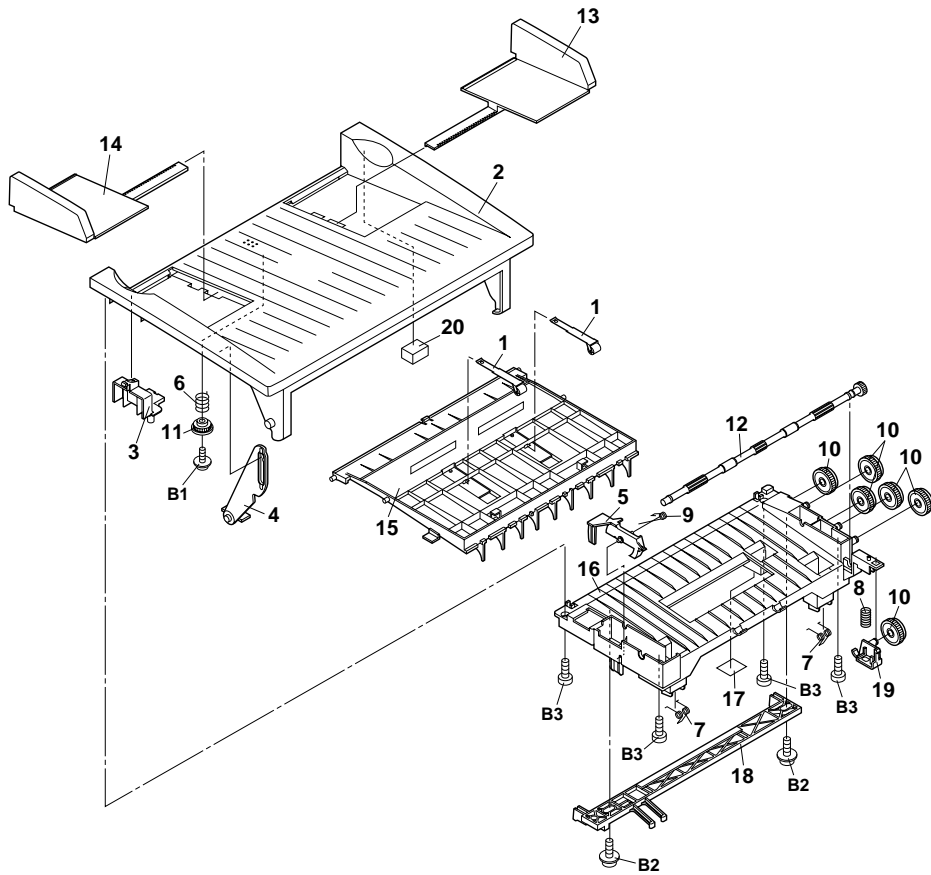
- | | |
|-----------------------------|-----------------------------------|
| 1 Exterior, etc. (1) | 13 2nd. cassette (2) |
| 2 Exterior, etc. (2) | 14 Packing material & Accessories |
| 3 Exterior, etc. (3) | 15 Control PWB unit |
| 4 Operation panel unit | 16 Liu PWB unit |
| 5 Document guide upper unit | 17 Printer PWB unit |
| 6 Drive unit | 18 Power supply PWB unit |
| 7 Scanner frame unit | 19 Operation panel PWB unit |
| 8 Frames | 20 High voltage PWB unit |
| 9 Paper take up section | 21 Toner empty PWB unit |
| 10 Fusing unit | 22 2nd. cassette PWB unit |
| 11 Drive/Transfer section | 23 Memory PWB unit |
| 12 2nd. cassette (1) | ■ Index |

Because parts marked with "△" is indispensable for the machine safety maintenance and operation, it must be replaced with the parts specified in the product specification.

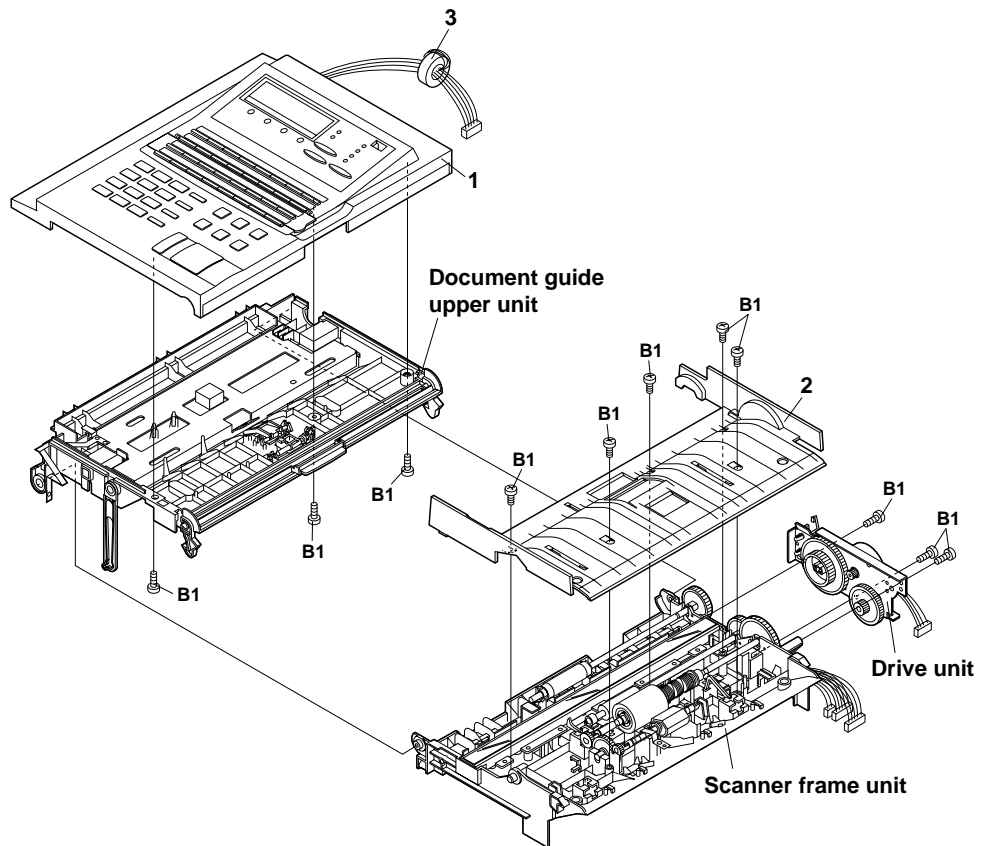
[1] Exterior, etc. (1)



[2] Exterior, etc. (2)

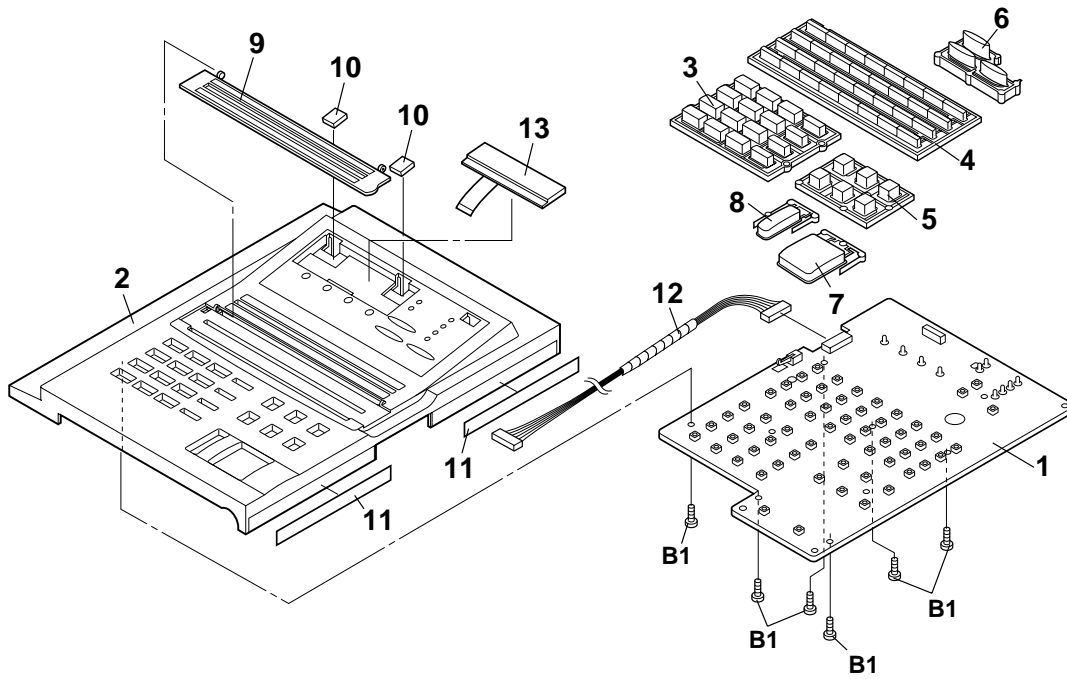


[3] Exterior, etc. (3)

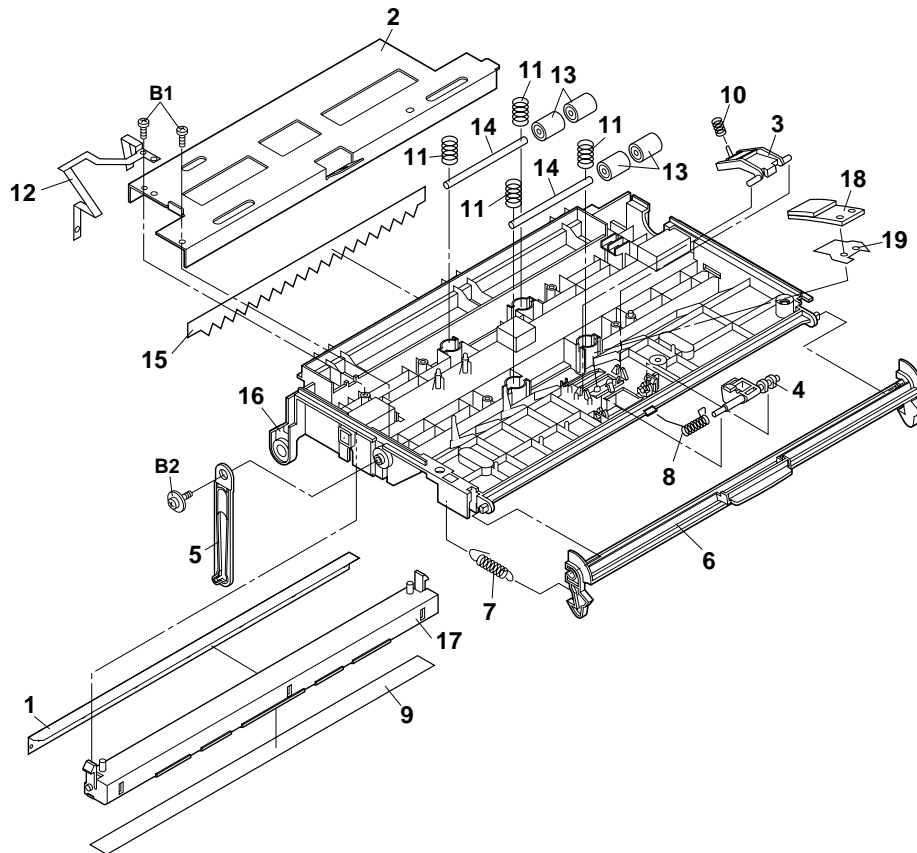


NO.	PARTS CODE	PRICE RANK	NEW MARK	PART RANK	DESCRIPTION
[2] Exterior etc.(2)					
1	CROLP2320XH01	AZ		C	Pinch roller ass'y
2	GCOVA2405XHSA	AK		C	Upper cover
3	JBTN-2255XHSA	AD		C	Upper cover lock button
4	LPLTM3019XHZZ	AD		C	Upper cover stopper
5	MLEVP2305XHZZ	AD		C	DRUM detect lever
6	MSPRC3149XHZZ	AB		C	Hopper spring
7	MSPRC3090XHZZ	AH		C	Press spring
8	MSPRC3100XHZZ	AF		C	Gear bracket spring
9	MSPRD3091XHZZ	AF		C	DRUM detect lever spring
10	NGERH2466XHZZ	AE		C	Idler gear(32Z)
11	NGERP2318XHZZ	AD		C	Pinion gear
12	NROLP2421XHZZ	AM		C	Upper cover roller
13	PGIDM2544XHSA	AE		C	Hopper guide,right
14	PGIDM2545XHSA	AC		C	Hopper guide,left
15	PGIDM2546XHZZ	AH		C	Paper exit guide upper
16	PGIDM2547XHZZ	AK		C	Upper cover guide under
17	PSHEZ3455XHZZ	AF		C	Reflection sheet
18	PTME-2060XHZZ	AF		C	Upper cover lock nail
19	LPLTM3036XHZZ	AH		C	Upper cover gear bracket
20	PCUSS2127XHZZ	AC		C	Upper cover cushion
B1	LX-BZ2138XHZZ	AB		C	Screw(3x8)
B2	LX-BZ2205XHZZ	AC		C	Screw(3x8)
B3	XEBSD30P10000	AA		C	Screw(3x10)
[3] Exterior etc.(3)					
1	CCASP2107XH51	BF		E	Operation panel unit
2	PGIDM2541XHSA	AK		C	Document guide under
3	RCORF2125XHZZ	AE		B	Core
B1	XEBSD30P10000	AA		C	Screw(3x10)

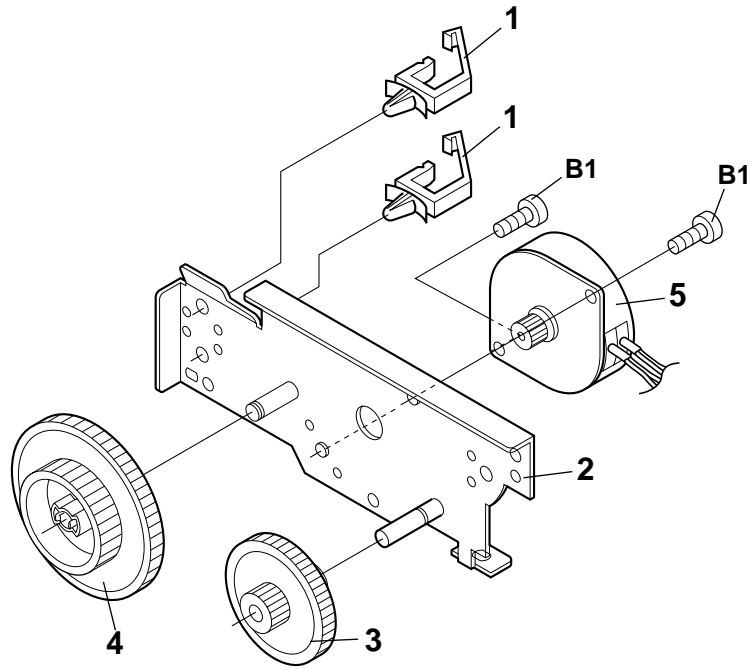
[4] Operation panel unit



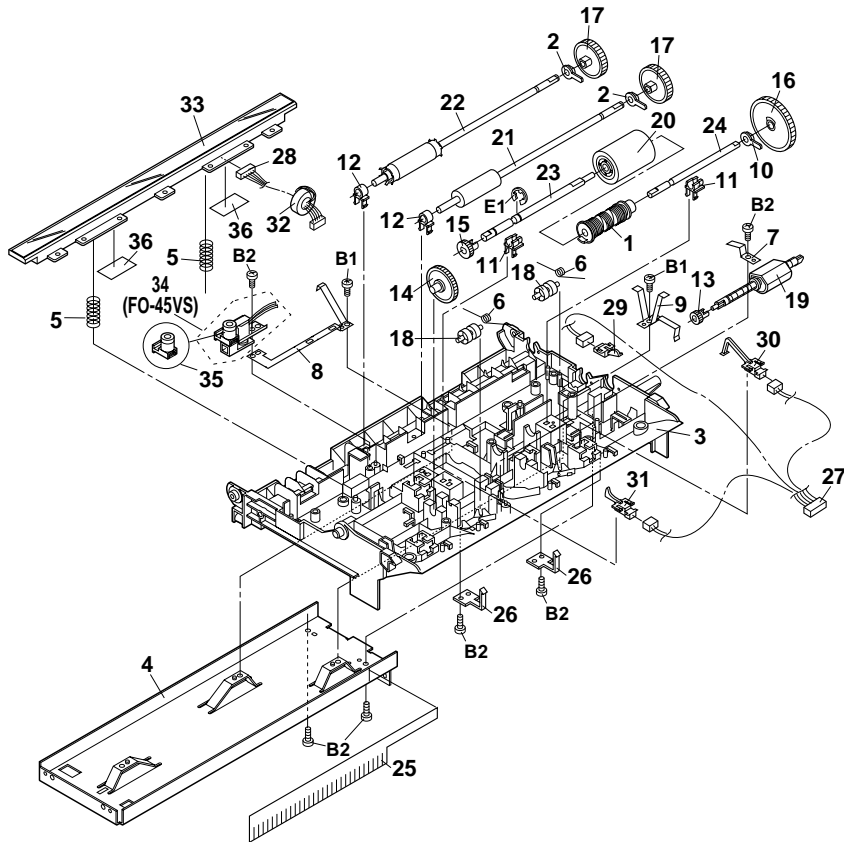
[5] Document guide upper unit



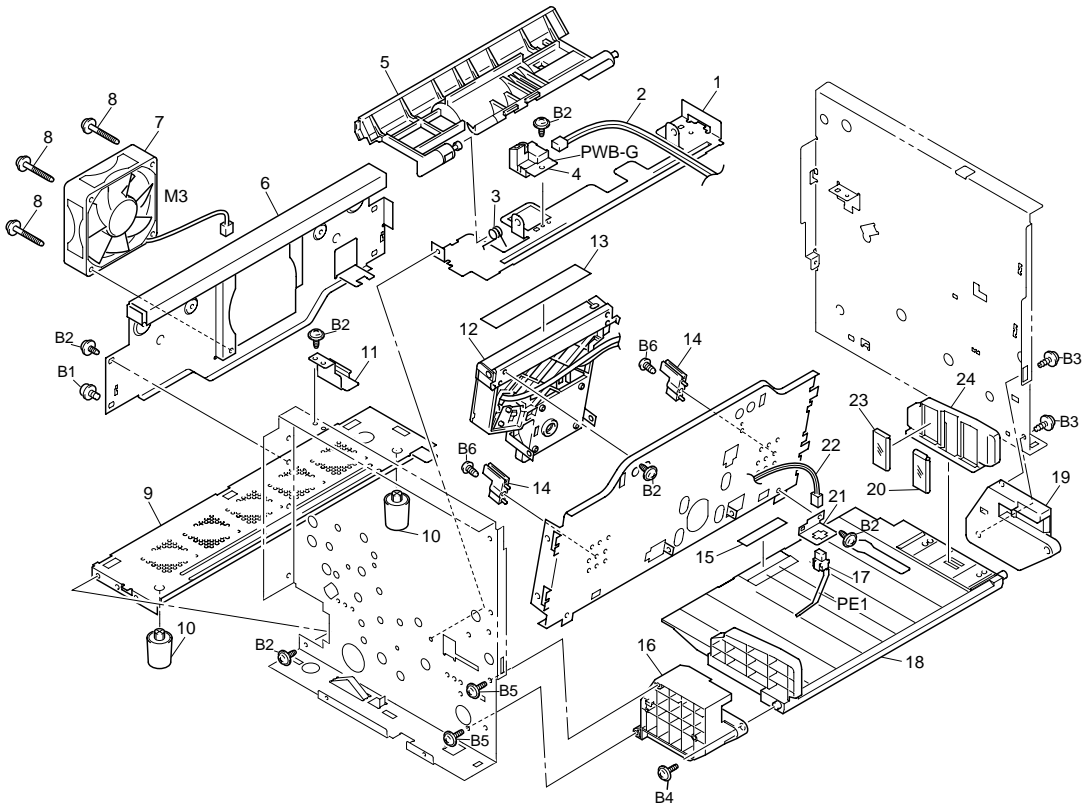
[6] Drive unit



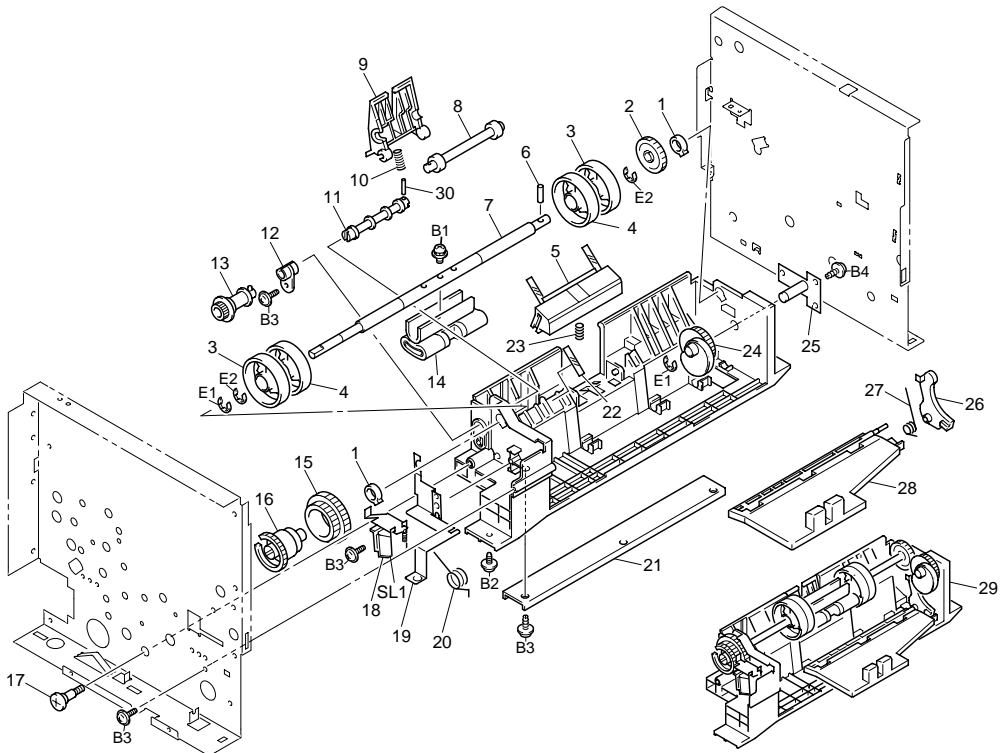
[7] Scanner frame unit



[8] Frames

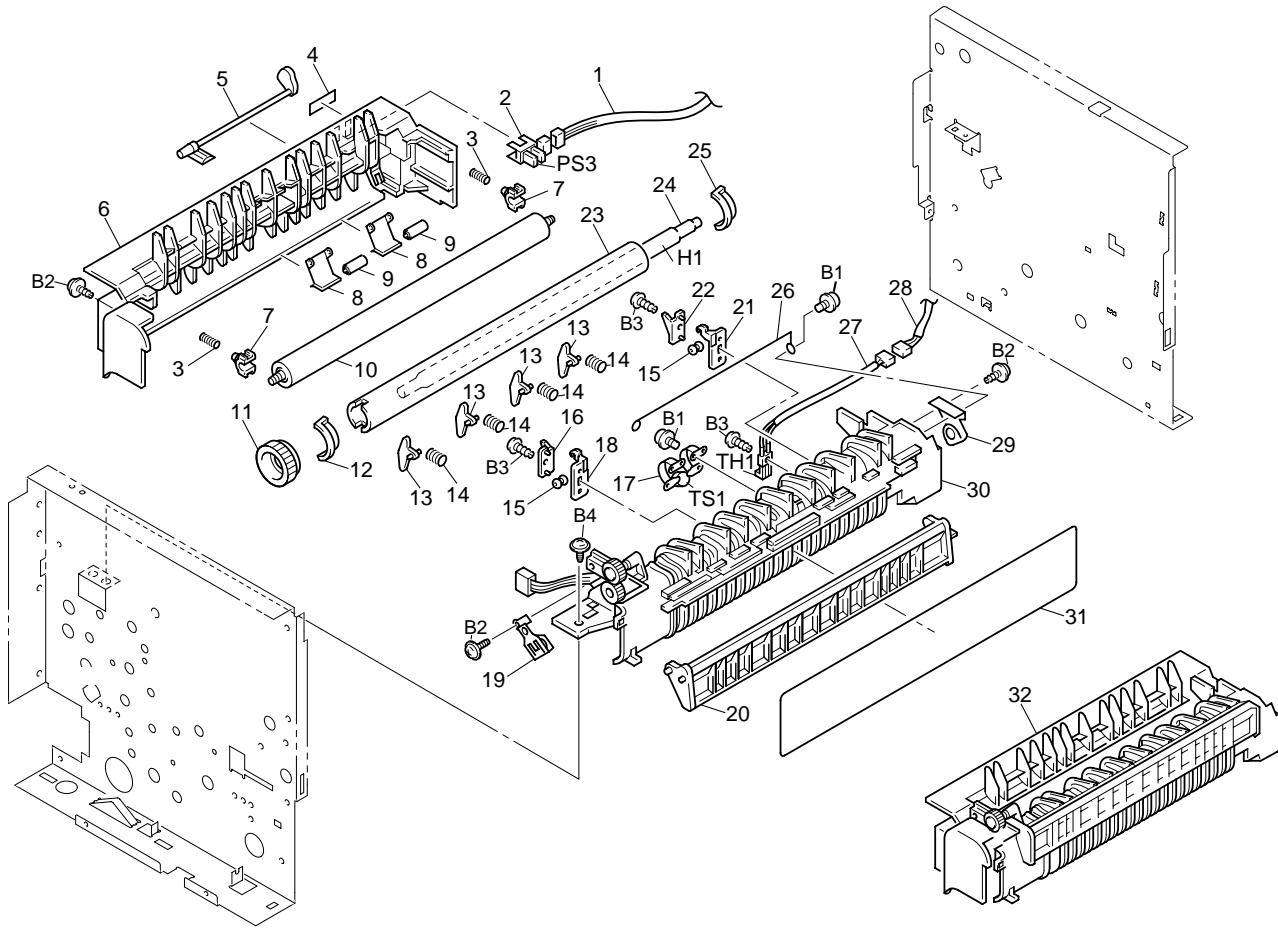


[9] Paper take up section

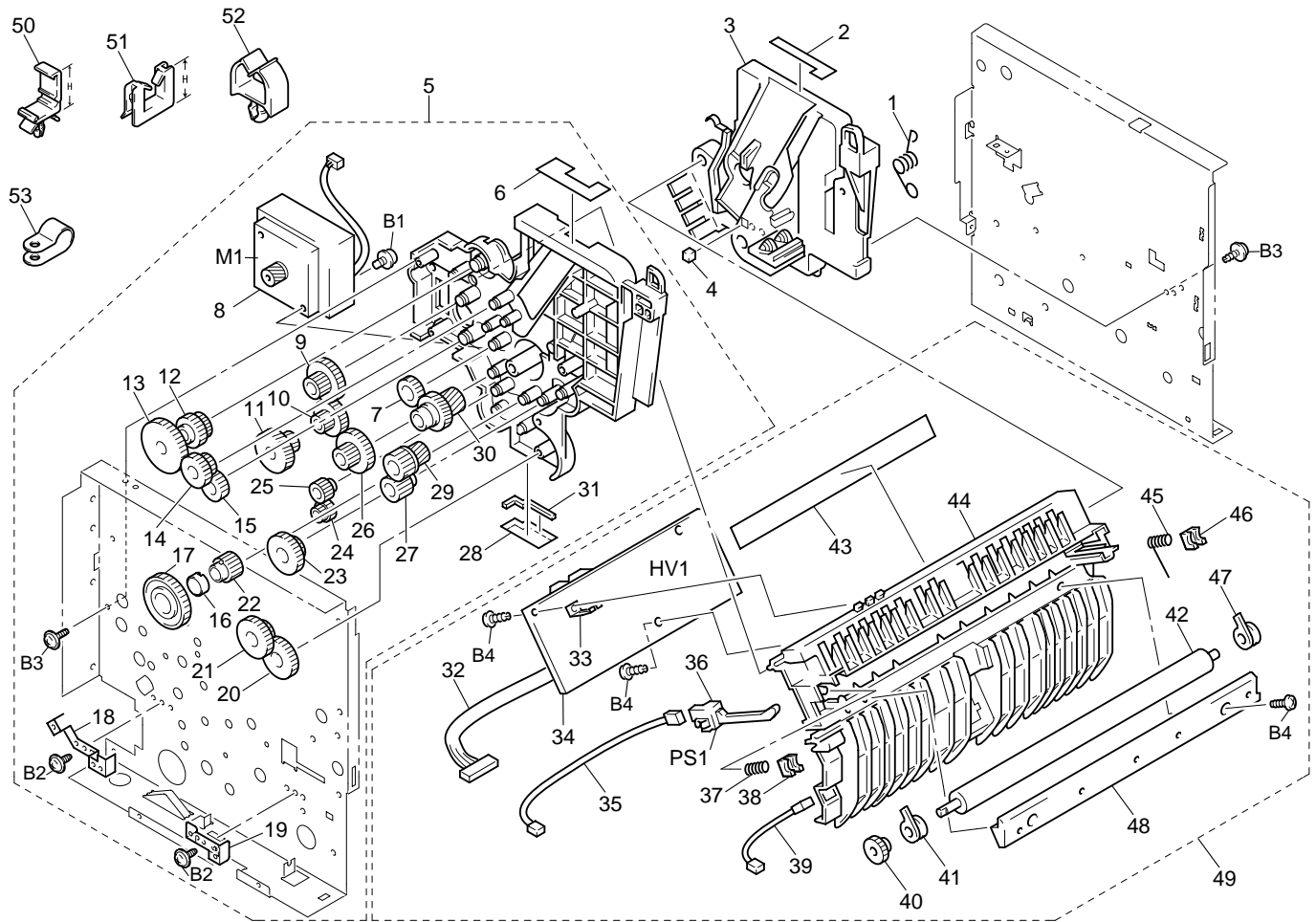


NO.	PARTS CODE	PRICE RANK	NEW MARK	PART RANK	DESCRIPTION
[8] Frames					
1	0KW4122207102	AM		C	Reinforce plate
2	0KW4122681702	AN		C	Wire harness assy
3	0KW4109302202	AC		C	Torsion spring
4	0KW4122010202	BD		E	Toner empty PWB unit
5	0KW4109302005	AL		C	Guide
6	0KW4122207801	BB		C	Bracket
7	0KW4122610101	BP		B	Fan motor
8	0KW0993204501	AC		C	Screw, special
9	0KW4122207902	AQ		C	Reinforce plate
10	0KW4122235001	AF		C	Rubber foot
11	0KW4122207001	AD		C	Bracket
12	0KW4109053103	BY		E	Print head unit
13	0KW4109202401	AF		D	Label
14	0KW4109202102	AD		C	Holder
15	0KW4109301302	AD		C	Sheet
16	0KW4122206901	AG		C	Holder
17	0KW4122630401	AL		B	Paper empty sensor
18	0KW4122360502	AQ		C	Lifting plate
19	0KW4122206801	AQ		C	Holder
20	0KW4122340401	AD		C	Guide
21	0KW4122207601	AD		C	Bracket
22	0KW4122681401	AL		C	Wire harness assy
23	0KW4122340501	AD		C	Guide
24	0KW4122340201	AF		C	Regulating plate
B1	0KW9646030613	AB		C	Screw
B2	0KW9735030613	AB		C	Tapping screw
B3	0KW9739030813	AB		C	Tapping screw
B4	0KW9739030613	AB		C	Tapping screw
B5	0KW9739030813	AB		C	Tapping screw
B6	0KW9743030813	AB		C	Tapping screw
[9] Paper take-up section					
1	0KW0972300901	AF		C	Bushing
2	0KW4122360701	AF		C	Gear(28T)
3	0KW4122305601	AH		C	Roll
4	0KW4122305501	AL		C	Roll
5	0KW4110075101	AT		C	Separated pad
6	0KW0957304001	AE		C	Pin
7	0KW4122362902	AQ		C	Shaft
8	0KW4122300201	BK		C	Roller
9	0KW4109350203	AH		C	Holder
10	0KW4110301801	AC		C	Pressure spring
11	0KW4109303301	AF		C	Joint
12	0KW4109301514	AD		C	Bushing
13	0KW4109301412	AD		C	Gear(18T)
14	0KW4122300101	AU		C	Roller
15	0KW4109303413	AF		C	Gear(36/54T)
16	0KW4109301003	AF		C	Gear(36T)
17	0KW4109305101	AD		C	Shoulder screw
18	0KW4122620101	BC		B	Paper take up solenoid
19	0KW4122365001	AG		C	Earth ground
20	0KW4122361902	AC		C	Torsion spring
21	0KW4109305201	AG		C	Plate
22	0KW4110350301	AC		C	Polyester film
23	0KW4109304103	AC		C	Pressure spring
24	0KW4122355602	AG		C	Cam gear(28T)
25	0KW4122020101	AG		C	Bracket
26	0KW4122364201	AG		C	Arm
27	0KW4122361602	AD		C	Torsion spring
28	0KW4122364301	AR		C	Lever
29	0KW4122033102	BT		E	Paper take-up unit
30	0KW9751301050	BG		C	Pin
B1	0KW9646030813	AB		C	Screw
B2	0KW9735030613	AB		C	Tapping screw
B3	0KW9739030813	AB		C	Tapping screw
B4	0KW9739030613	AB		C	Tapping screw
E1	0KW9721050001	AU		C	Retaining ring
E2	0KW9721090001	BB		C	Retaining ring

[10] Fusing unit

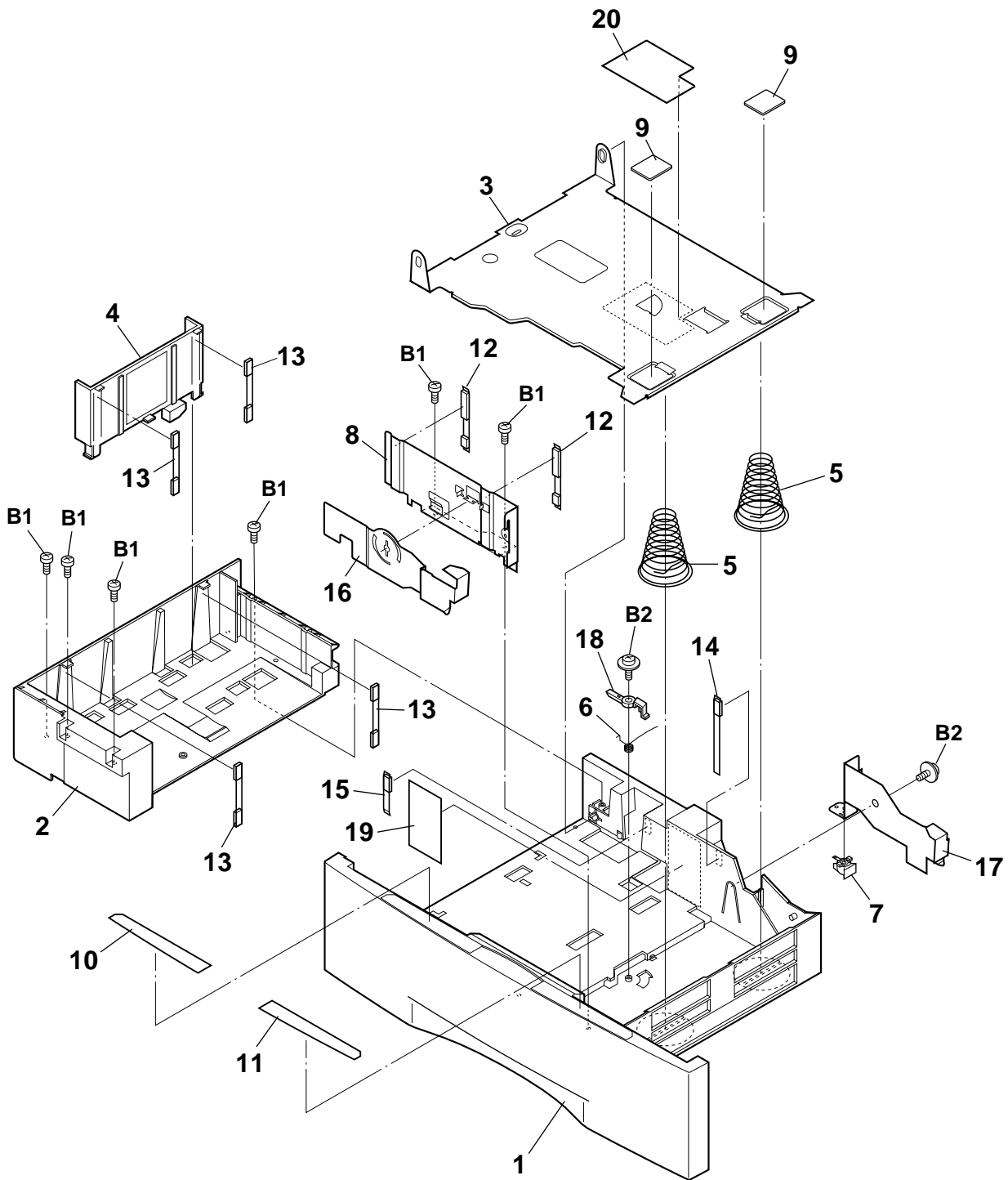


[11] Drive/Transfer section

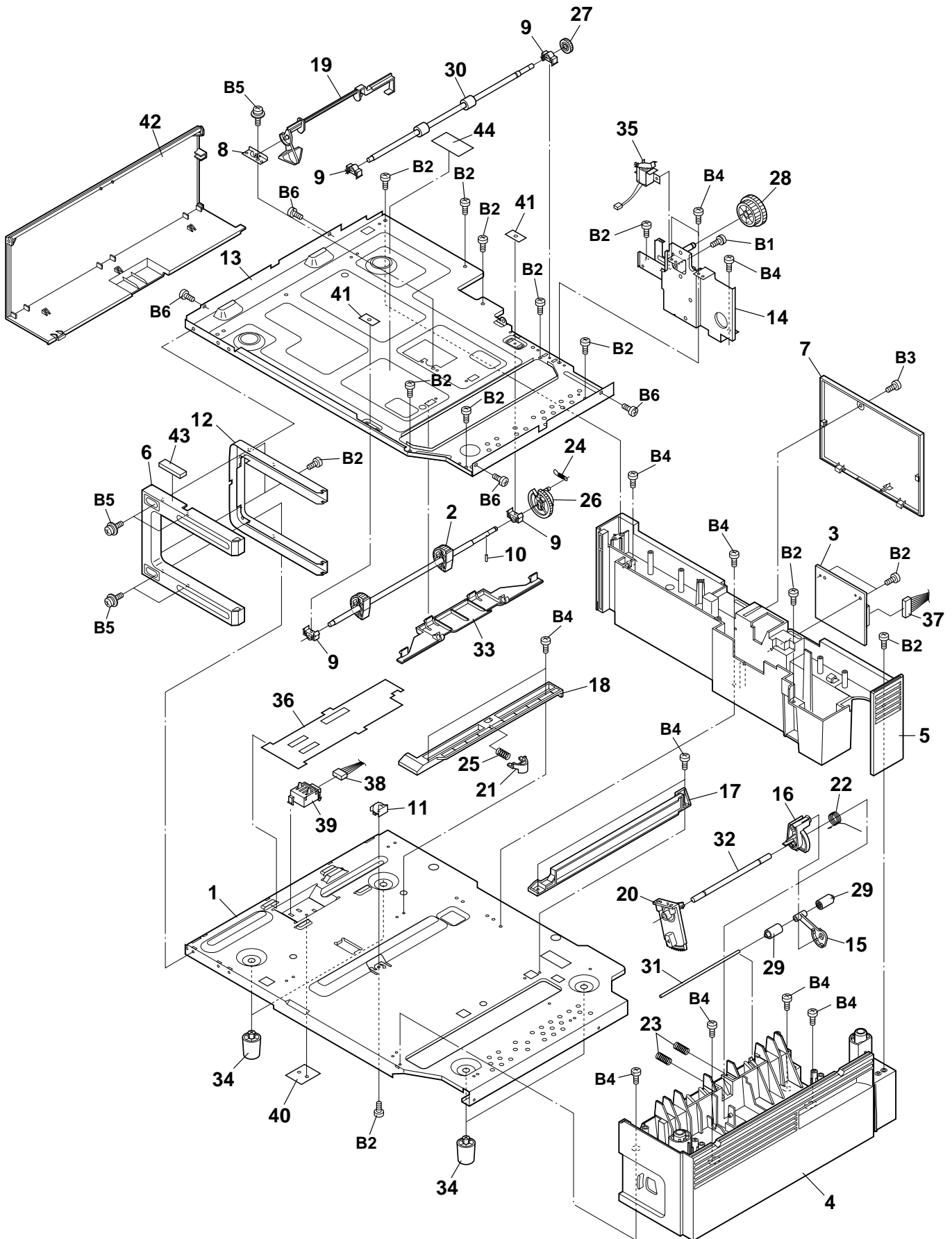


NO.	PARTS CODE	PRICE RANK	NEW MARK	PART RANK	DESCRIPTION
[11] Drive/Transfer section					
1	0KW4109201301	AF		C	Torsion spring
2	0KW4109202201	AC		D	Label(Right)
3	0KW4109075605	BC		E	Frame ass'y
4	0KW4109201502	AC		C	Rubber strip
5	0KW4122030102	BU		E	Drive unit
6	0KW4109202301	AD		D	Label(Left)
7	0KW4109250301	AH		C	Gear(40T)
8	0KW4122610501	BN		B	Printer motor [M1]
9	0KW4109250501	AF		C	Gear(18/50T)
10	0KW4109250101	AL		C	Gear(20/44T)
11	0KW4109250201	AL		C	Gear(20/52T)
12	0KW4109250701	AF		C	Gear(24/30T)
13	0KW4109250601	AF		C	Gear(20/48T)
14	0KW4109251401	AF		C	Gear(20/32T)
15	0KW4109251501	AD		C	Gear(26T)
16	0KW4122252201	AN		C	Collar
17	0KW4122252001	AV		C	Gear(50T)
18	0KW4122233101	AC		C	Bracket
19	0KW4122233001	AC		C	Bracket
20	0KW4109251901	AF		C	Gear(27T)
21	0KW4109251801	AF		C	Gear(17/42T)
22	0KW4122252101	AD		C	Gear(21T)
23	0KW4109251001	AF		C	Gear(18/42T)
24	0KW4109251701	AF		C	Gear(17/25T)
25	0KW4109251601	AD		C	Gear(17T)
26	0KW4109250801	AG		C	Gear(21/56T)
27	0KW4109251101	AF		C	Gear(20T)
28	0KW4109203902	AG		C	Polyester film
29	0KW4109251201	AL		C	Gear(20/28T)
30	0KW4109250401	AK		C	Gear(22/43T)
31	0KW4109206001	AF		C	Sponge
32	0KW4122680602	AV		C	Wire harness assy
33	0KW4109411201	AD		C	Plate
34	0KW4109620201	BR		E	High voltage PWB unit [HV1]
35	0KW4122681302	AH		C	Wire harness assy
36	0KW4109630101	AN		C	Paper take up sensor switch [PS1]
37	0KW4109410802	AC		C	Pressure spring
38	0KW4109411503	AF		C	Bushing
39	0KW4122680502	AL		C	Wire harness assy
40	0KW4109411102	AF		C	Gear(21T)
41	0KW4109411702	AH		C	Bushing
42	0KW4109410301	BF		C	Roller
43	0KW4109411803	AD		C	Polyester film
44	0KW4109075501	BD		C	Guide assy
45	0KW4109410703	AC		C	Pressure spring
46	0KW4109411403	AF		C	Bushing
47	0KW4109410403	AH		C	Bushing
48	0KW4109076001	BB		C	Guide
49	0KW4122039102	CS		E	Transfer unit
50	0KW9384131091	AC		C	Wiring saddle(18.5H)
51	0KW9384201021	AD		C	Edge cover(8.5H)
52	0KW9384171111	AD		C	Wire saddle
53	0KW9384170024	AF		C	P-Clip
B1	0KW9646030813	AB		C	Screw
B2	0KW9735030613	AB		C	Tapping screw
B3	0KW9739030813	AB		C	Tapping screw
B4	0KW9742030813	AB		C	Tapping screw

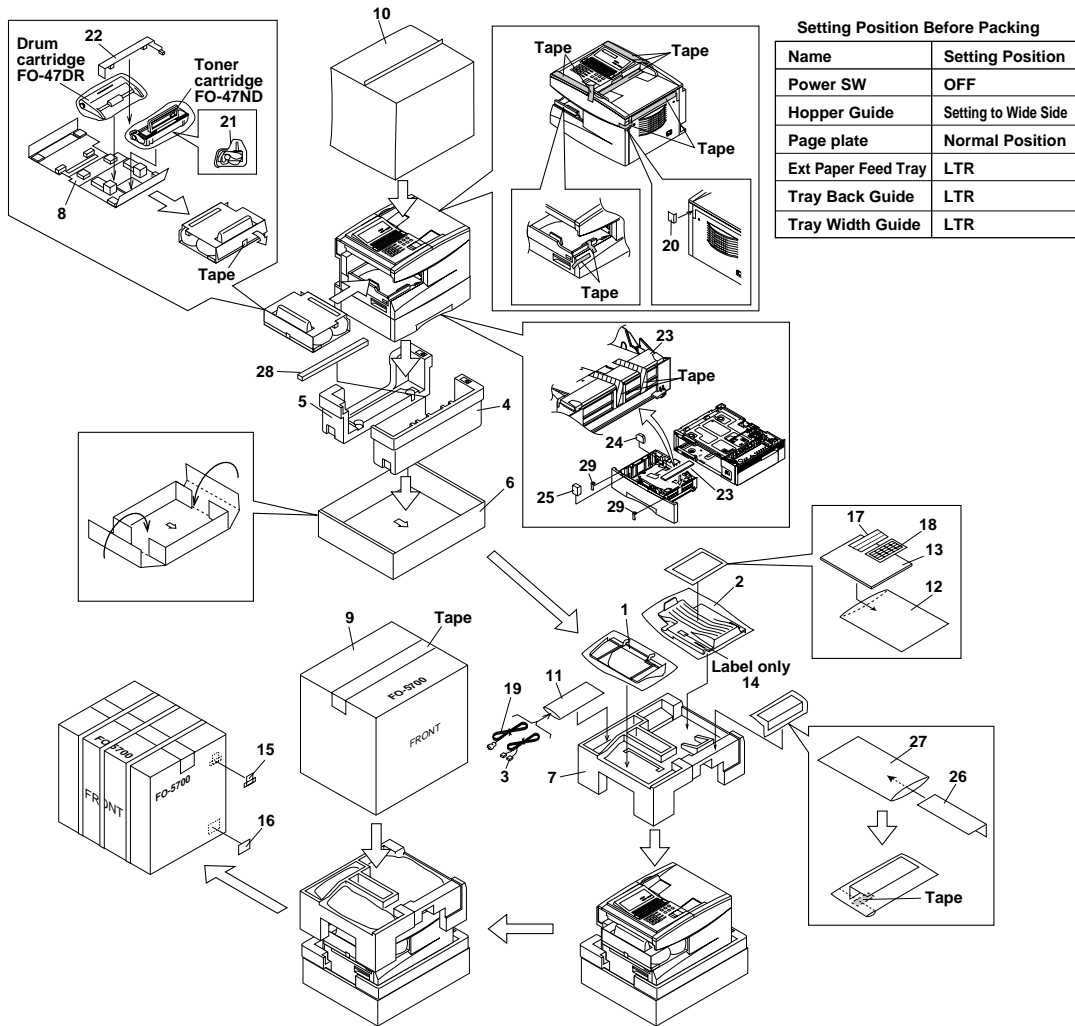
[12] 2nd. cassette (1)



[13] 2nd. cassette (2)



[14] Packing material & Accessories



NO.	PARTS CODE	PRICE RANK	NEW MARK	PART RANK	DESCRIPTION
[14] Packing material & Accessories					
1	CPLTP2803XHC3	AV		C	Document tray ass'y
2	CPLTP3009XHC1	AU		C	Paper stock tray with label ass'y
3	QCNW-4786XHGY	AL	N	C	Line cable
4	SPAKA301BXH01	AK	N	D	Packing add.,bottom front
5	SPAKA301BXH02	AK	N	D	Packing add.,bottom back
6	SPAKA130BXHZZ	AH		C	Bottom tray
7	SPAKA505AXHZZ	AF		D	Packing add.,top
8	SPAKA506AXHZZ	AP		D	Packing add
9	SPAKC515AXHZZ	AR	N	D	Packing case,top(Made in Thailand)
	SPAKC515ASCZZ	AR	N	D	Packing case,top(Made in Japan)
10	SPAKP261BXHZZ	AM		D	Vinyl cover
11	SSAKA1430QCZZ	AB		D	Vinyl bag
12	SSAKA2003XHZZ	AA		D	Vinyl bag(240x360mm)
13	TINSE3926XHZA	AQ		D	Operation manual
14	TLABH4813XHSA	AE		D	Tray caution label
15	TLABM2506XHZZ	AB		D	TH No. label
16	TLABM4804XHZZ	AA		D	Code 39 label
17	TLABP3937XHZZ	AD		D	Paper size label
18	TLABZ3935XHZZ	AF	N	D	Rapid key labels
19	QACCD7618QCZZ	AQ		C	AC cord
20	SPAKA006AXHZZ	AC		C	Protection sheet
21	SPAKA241BXHZZ	AH		C	Air sheet
22	SPAKA166BXHZZ	AH		C	Protection Sheet
23	SPAKA146BXHZZ	AH		D	Cassette protection
24	SPAKA229BXHZZ	AE		C	Cassette protection pad A
25	SPAKA230BXHZZ	AE		C	Cassette protection pad B
26	GCOVA2406XHSA	AF		C	Left cover
27	SSAKA2342QCZZ	AA		C	Vinyl bag
28	SPAKA416BXHZZ		N	D	Protect add
29	PSHEZ3264XHZZ	AH	N	C	Cabinet spacer

NO.	PARTS CODE	PRICE RANK	NEW MARK	PART RANK	DESCRIPTION	
[15] Control PWB unit						
1	UBATL2071XHZZ	AL		B	Battery	[BT1]
2	VCEAGA1HW107M	AA		C	Capacitor(50WV 100μF)	[C2]
3	VCEAGA1CW476M	AB		C	Capacitor(16WV 47μF)	[C3]
4	VCEAGA1CW476M	AB		C	Capacitor(16WV 47μF)	[C4]
5	VCEAGA1HW475M	AA		C	Capacitor(50WV 4.7μF)	[C7]
6	VCEAGA1HW105M	AB		C	Capacitor(50WV 1μF)	[C8]
7	VCEAGA1CW476M	AB		C	Capacitor(16WV 47μF)	[C9]
8	VCEAEA1CW336M	AB		C	Capacitor(16WV 33μF)	[C10]
9	VCEAEA1CW336M	AB		C	Capacitor(16WV 33μF)	[C11]
10	VCEAEA1VW476M	AH		C	Capacitor(35WV 47μF)	[C12]
11	VCEAEA1CW336M	AB		C	Capacitor(16WV 33μF)	[C13]
12	VCEAGA1EW106M	AA		C	Capacitor(25WV 10μF)	[C14]
13	VCEAGA1EW106M	AA		C	Capacitor(25WV 10μF)	[C15]
14	VCEAGA1EW106M	AA		C	Capacitor(25WV 10μF)	[C16]
15	VCEAGA1EW106M	AA		C	Capacitor(25WV 10μF)	[C17]
16	VCEAGA1EW106M	AA		C	Capacitor(25WV 10μF)	[C18]
17	VCEAGA1EW476M	AA		C	Capacitor(25WV 47μF)	[C19]
18	VCEAGA1CW476M	AB		C	Capacitor(16WV 47μF)	[C20]
19	VCKYTV1EF104Z	AA		C	Capacitor(25WV 0.1μF)	[C100]
20	VCKYTV1EF104Z	AA		C	Capacitor(25WV 0.1μF)	[C103]
21	VCKYTV1EF104Z	AA		C	Capacitor(25WV 0.1μF)	[C104]
22	VCKYTV1CF105Z	AB		C	Capacitor(16WV 1μF)	[C106]
23	VCKYTV1EF104Z	AA		C	Capacitor(25WV 0.1μF)	[C107]
24	VCKYTV1HF104Z	AA		C	Capacitor(50WV 0.1μF)	[C108]
25	VCKYTV1EF104Z	AA		C	Capacitor(25WV 0.1μF)	[C109]
26	VCKYTV1EF104Z	AA		C	Capacitor(25WV 0.1μF)	[C111]
27	VCKYTV1EF104Z	AA		C	Capacitor(25WV 0.1μF)	[C112]
28	VCKYTV1HB222K	AA		C	Capacitor(50WV 2200PF)	[C113]
29	VCKYTV1HB222K	AA		C	Capacitor(50WV 2200PF)	[C114]
30	VCKYTV1EF104Z	AA		C	Capacitor(25WV 0.1μF)	[C115]
31	VCKYTV1EF104Z	AA		C	Capacitor(25WV 0.1μF)	[C116]
32	VCKYTV1EF104Z	AA		C	Capacitor(25WV 0.1μF)	[C117]
33	VCCCTV1HH180J	AA		C	Capacitor(50WV 18PF)	[C118]
34	VCKYTV1EF104Z	AA		C	Capacitor(25WV 0.1μF)	[C119]
35	VCKYTV1EF104Z	AA		C	Capacitor(25WV 0.1μF)	[C120]
36	VCKYTV1EF104Z	AA		C	Capacitor(25WV 0.1μF)	[C121]
37	VCKYTV1EF104Z	AA		C	Capacitor(25WV 0.1μF)	[C122]
38	VCKYTV1HF103Z	AA		C	Capacitor(50WV 0.01μF)	[C123]
39	VCKYTV1EF104Z	AA		C	Capacitor(25WV 0.1μF)	[C124]
40	VCKYTV1HF103Z	AA		C	Capacitor(50WV 0.01μF)	[C125]
41	VCCCTV1HH150J	AA		C	Capacitor(50WV 15PF)	[C126]
42	VCKYTV1EF104Z	AA		C	Capacitor(25WV 0.1μF)	[C127]
43	VCCSTV1HL471J	AC		C	Capacitor(50WV 470PF)	[C128]
44	VCCSTV1HL331J	AA		C	Capacitor(50WV 330PF)	[C130]
45	VCCSTV1HL471J	AC		C	Capacitor(50WV 470PF)	[C131]
46	VCCSTV1HL331J	AA		C	Capacitor(50WV 330PF)	[C132]
47	VCKYTV1EF104Z	AA		C	Capacitor(25WV 0.1μF)	[C133]
48	VCKYTV1EF104Z	AA		C	Capacitor(25WV 0.1μF)	[C134]
49	VCKYTV1EF104Z	AA		C	Capacitor(25WV 0.1μF)	[C135]
50	VCKYTV1EF104Z	AA		C	Capacitor(25WV 0.1μF)	[C137]
51	VCKYTV1EF104Z	AA		C	Capacitor(25WV 0.1μF)	[C138]
52	VCCCTV1HH120J	AA		C	Capacitor(50WV 12PF)	[C139]
53	VCKYTV1EF104Z	AA		C	Capacitor(25WV 0.1μF)	[C142]
54	VCKYTV1HB222K	AA		C	Capacitor(50WV 2200PF)	[C143]
55	VCKYTV1HB222K	AA		C	Capacitor(50WV 2200PF)	[C144]
56	VCKYTV1HB102K	AA		C	Capacitor(50WV 1000PF)	[C146]
57	VCCSTV1HL331J	AA		C	Capacitor(50WV 330PF)	[C147]
58	VCKYTV1EF104Z	AA		C	Capacitor(25WV 0.1μF)	[C148]
59	VCKYTV1EF104Z	AA		C	Capacitor(25WV 0.1μF)	[C149]
60	VRS-TS2AD000J	AA		C	Resistor(1/10W 0Ω ±5%)	[C151]
61	VCKYTV1EF104Z	AA		C	Capacitor(25WV 0.1μF)	[C153]
62	VCKYTV1HB222K	AA		C	Capacitor(50WV 2200PF)	[C154]
63	VCKYTV1EF104Z	AA		C	Capacitor(25WV 0.1μF)	[C155]
64	VCCCTV1HH150J	AA		C	Capacitor(50WV 15PF)	[C156]
65	VCKYTV1HB222K	AA		C	Capacitor(50WV 2200PF)	[C157]
66	VCKYTV1CF105Z	AB		C	Capacitor(16WV 1μF)	[C158]
67	VCKYTV1CF105Z	AB		C	Capacitor(16WV 1μF)	[C160]
68	VCCCTV1HH300J	AA		C	Capacitor(50WV 30PF)	[C161]
69	VCCSTV1HL102J	AA		C	Capacitor(50WV 1000PF)	[C162]
70	VCCCTV1HH101J	AA		C	Capacitor(50WV 100PF)	[C163]
71	VCKYTV1EF104Z	AA		C	Capacitor(25WV 0.1μF)	[C164]
72	VCKYTV1CF105Z	AB		C	Capacitor(16WV 1μF)	[C166]
73	VCKYTV1EF104Z	AA		C	Capacitor(25WV 0.1μF)	[C167]
74	VCKYTV1EF104Z	AA		C	Capacitor(25WV 0.1μF)	[C168]
75	VCCCTV1HH300J	AA		C	Capacitor(50WV 30PF)	[C169]
76	VCKYTV1EF104Z	AA		C	Capacitor(25WV 0.1μF)	[C170]
77	VCKYTV1EF104Z	AA		C	Capacitor(25WV 0.1μF)	[C171]
78	VCKYTV1EF104Z	AA		C	Capacitor(25WV 0.1μF)	[C174]
79	VCKYTV1HB222K	AA		C	Capacitor(50WV 2200PF)	[C177]
80	VCCCTV1HH120J	AA		C	Capacitor(50WV 12PF)	[C178]

NO.	PARTS CODE	PRICE RANK	NEW MARK	PART RANK	DESCRIPTION	
[15] Control PWB unit						
81	VCKYTV1EF104Z	AA		C	Capacitor(25WV 0.1μF)	[C179]
82	VCKYTV1EF104Z	AA		C	Capacitor(25WV 0.1μF)	[C180]
83	VCKYTV1EF104Z	AA		C	Capacitor(25WV 0.1μF)	[C181]
84	VCKYTV1EF104Z	AA		C	Capacitor(25WV 0.1μF)	[C182]
85	VCKYTV1HB102K	AA		C	Capacitor(50WV 1000PF)	[C183]
86	VCKYTV1EF104Z	AA		C	Capacitor(25WV 0.1μF)	[C189]
87	VCKYTV1EF104Z	AA		C	Capacitor(25WV 0.1μF)	[C190]
88	VCKYTV1EF104Z	AA		C	Capacitor(25WV 0.1μF)	[C192]
89	VCKYTV1EF104Z	AA		C	Capacitor(25WV 0.1μF)	[C196]
90	VCKYTV1HB222K	AA		C	Capacitor(50WV 2200PF)	[C197]
91	VCKYTV1HB222K	AA		C	Capacitor(50WV 2200PF)	[C198]
92	VCKYTV1HB103K	AB		C	Capacitor(50WV 0.01μF)	[C200]
93	VCKYTV1EF104Z	AA		C	Capacitor(25WV 0.1μF)	[C202]
94	VCKYTV1HB222K	AA		C	Capacitor(50WV 2200PF)	[C203]
95	VCKYTV1EF104Z	AA		C	Capacitor(25WV 0.1μF)	[C205]
96	VCKYTV1EF104Z	AA		C	Capacitor(25WV 0.1μF)	[C206]
97	VCKYTV1EF104Z	AA		C	Capacitor(25WV 0.1μF)	[C207]
98	VCKYTV1EF104Z	AA		C	Capacitor(25WV 0.1μF)	[C208]
99	VCKYTV1EF104Z	AA		C	Capacitor(25WV 0.1μF)	[C211]
100	VCKYTV1EF104Z	AA		C	Capacitor(25WV 0.1μF)	[C212]
101	VCKYTV1EF104Z	AA		C	Capacitor(25WV 0.1μF)	[C221]
102	VCKYTV1EB104K	AA		C	Capacitor(25WV 0.1μF)	[C222]
103	VCKYTV1HB472K	AA		C	Capacitor(50WV 4700PF)	[C223]
104	VCKYTV1EF104Z	AA		C	Capacitor(25WV 0.1μF)	[C226]
105	VCKYTV1HB222K	AA		C	Capacitor(50WV 2200PF)	[C227]
106	VCKYTV1EF104Z	AA		C	Capacitor(25WV 0.1μF)	[C228]
107	VCKYTV1HB222K	AA		C	Capacitor(50WV 2200PF)	[C229]
108	VCKYTV1HB222K	AA		C	Capacitor(50WV 2200PF)	[C230]
109	VCKYTV1HB222K	AA		C	Capacitor(50WV 2200PF)	[C231]
110	VCKYTV1HB222K	AA		C	Capacitor(50WV 2200PF)	[C232]
111	VCKYTV1EF104Z	AA		C	Capacitor(25WV 0.1μF)	[C233]
112	VCKYTV1EF104Z	AA		C	Capacitor(25WV 0.1μF)	[C234]
113	VCCCTV1HH270J	AC		C	Capacitor(50WV 27PF)	[C235]
114	VCCCTV1HH200J	AA		C	Capacitor(50WV 20PF)	[C236]
115	VCKYTV1EF104Z	AA		C	Capacitor(25WV 0.1μF)	[C237]
116	VCKYTV1HB222K	AA		C	Capacitor(50WV 2200PF)	[C238]
117	VCKYTV1EF104Z	AA		C	Capacitor(25WV 0.1μF)	[C239]
118	VCKYTV1EF104Z	AA		C	Capacitor(25WV 0.1μF)	[C241]
119	VCCCTV1HH100D	AA		C	Capacitor(50WV 10PF)	[C242]
120	VCCCTV1HH100D	AA		C	Capacitor(50WV 10PF)	[C243]
121	VCKYTV1EF104Z	AA		C	Capacitor(25WV 0.1μF)	[C246]
122	VCKYTV1EF104Z	AA		C	Capacitor(25WV 0.1μF)	[C247]
123	VCKYTV1EF104Z	AA		C	Capacitor(25WV 0.1μF)	[C249]
124	VCKYTV1EF104Z	AA		C	Capacitor(25WV 0.1μF)	[C250]
125	VCKYTV1EF104Z	AA		C	Capacitor(25WV 0.1μF)	[C251]
126	VCKYTV1EF104Z	AA		C	Capacitor(25WV 0.1μF)	[C252]
127	VCCSTV1HL331J	AA		C	Capacitor(50WV 330PF)	[C269]
128	VCKYTV1EB104K	AA		C	Capacitor(25WV 0.1μF)	[C270]
129	VCKYTV1EF104Z	AA		C	Capacitor(25WV 0.1μF)	[C273]
130	VCKYTV1CF105Z	AB		C	Capacitor(16WV 1μF)	[C274]
131	VCKYTV1EF104Z	AA		C	Capacitor(25WV 0.1μF)	[C275]
132	VCKYTV1EF104Z	AA		C	Capacitor(25WV 0.1μF)	[C277]
133	VCCCTV1HH120J	AA		C	Capacitor(50WV 12PF)	[C278]
134	VCCCTV1HH180J	AA		C	Capacitor(50WV 18PF)	[C279]
135	VCKYTV1HF104Z	AA		C	Capacitor(50WV 0.1μF)	[C280]
136	VCKYTV1EF104Z	AA		C	Capacitor(25WV 0.1μF)	[C401]
137	VCKYTV1EF104Z	AA		C	Capacitor(25WV 0.1μF)	[C403]
138	VCKYTV1HB222K	AA		C	Capacitor(50WV 2200PF)	[C404]
139	VCKYTV1HB222K	AA		C	Capacitor(50WV 2200PF)	[C405]
140	VCKYTV1HB222K	AA		C	Capacitor(50WV 2200PF)	[C406]
141	VCKYTV1HB222K	AA		C	Capacitor(50WV 2200PF)	[C407]
142	VCKYTV1HB222K	AA		C	Capacitor(50WV 2200PF)	[C408]
143	VCKYTV1HB222K	AA		C	Capacitor(50WV 2200PF)	[C409]
144	VCKYTV1HB222K	AA		C	Capacitor(50WV 2200PF)	[C410]
145	VCKYTV1CF105Z	AB		C	Capacitor(16WV 1μF)	[C421]
146	VCKYTV1HB102K	AA		C	Capacitor(50WV 1000PF)	[C422]
147	VCKYTV1EF104Z	AA		C	Capacitor(25WV 0.1μF)	[C426]
148	VCCCTV1HH101J	AA		C	Capacitor(50WV 100PF)	[C428]
149	VCKYTV1HB222K	AA		C	Capacitor(50WV 2200PF)	[C500]
150	VCKYTV1HB222K	AA		C	Capacitor(50WV 2200PF)	[C501]
151	VCKYTV1HB103K	AB		C	Capacitor(50WV 0.01μF)	[C502]
152	VCCCTV1HH100D	AA		C	Capacitor(50WV 10PF)	[C503]
153	VCCCTV1HH3R0C	AA	N	C	Capacitor(50WV 3PF)	[C504]
154	VCKYTV1EF104Z	AA		C	Capacitor(25WV 0.1μF)	[C505]
155	VCKYTV1EB104K	AA		C	Capacitor(25WV 0.1μF)	[C506]
156	VCKYTV1EB104K	AA		C	Capacitor(25WV 0.1μF)	[C507]
157	VCKYTV1EB104K	AA		C	Capacitor(25WV 0.1μF)	[C508]
158	VCKYTV1EB104K	AA		C	Capacitor(25WV 0.1μF)	[C509]
159	VCCSTV1HL181J	AD		C	Capacitor(50WV 180PF)	[C510]
160	VCKYTV1EB104K	AA		C	Capacitor(25WV 0.1μF)	[C511]

NO.	PARTS CODE	PRICE RANK	NEW MARK	PART RANK	DESCRIPTION	
[15] Control PWB unit						
161	VCKYTV1EF104Z	AA		C	Capacitor(25WV 0.1μF)	[C512]
162	VCKYTV1CF225Z	AD		C	Capacitor(16WV 2.2μF)	[C513]
163	VCKYTV1EF104Z	AA		C	Capacitor(25WV 0.1μF)	[C514]
164	VCKYTV1EF104Z	AA		C	Capacitor(25WV 0.1μF)	[C515]
165	VCKYTV1EF104Z	AA		C	Capacitor(25WV 0.1μF)	[C516]
166	VCKYTV1CF105Z	AB		C	Capacitor(16WV 1μF)	[C517]
167	VCKYTV1EF104Z	AA		C	Capacitor(25WV 0.1μF)	[C518]
168	VCKYTV1EF104Z	AA		C	Capacitor(25WV 0.1μF)	[C519]
169	VCKYTV1EF104Z	AA		C	Capacitor(25WV 0.1μF)	[C520]
170	VCKYTV1HF104Z	AA		C	Capacitor(50WV 0.1μF)	[C521]
171	VCKYTV1EF104Z	AA		C	Capacitor(25WV 0.1μF)	[C522]
172	VCKYTV1EF104Z	AA		C	Capacitor(25WV 0.1μF)	[C523]
173	VCKYTV1EF104Z	AA		C	Capacitor(25WV 0.1μF)	[C524]
174	VCKYTV1HB331K	AA	N	C	Capacitor(50WV 330PF)	[C525]
175	VCKYTV1HB221K	AA		C	Capacitor(50WV 220PF)	[C526]
176	VCCCTV1HH101J	AA		C	Capacitor(50WV 100PF)	[C527]
177	VCKYTV1HB102K	AA		C	Capacitor(50WV 1000PF)	[C528]
178	VCKYTV1EF104Z	AA		C	Capacitor(25WV 0.1μF)	[C529]
179	VCKYTV1EB104K	AA		C	Capacitor(25WV 0.1μF)	[C530]
180	VCKYTV1CF225Z	AD		C	Capacitor(16WV 2.2μF)	[C532]
181	VCCCTV1HH470J	AA		C	Capacitor(50WV 47PF)	[C533]
182	VCCCTV1HH470J	AA		C	Capacitor(50WV 47PF)	[C534]
183	QCNCM7014SC1J	AC		C	Connector(10pin)	[CNCIS]
184	QCNCM2499SC0I	AE		C	Connector(9pin)	[CNLIU]
185	QCNCM2589SC5J	AL		C	Connector(50pin)	[CNOP]
186	QCNCM2525SC4J	AK		C	Connector(40pin)	[CNPCIF]
187	QCNCM2482SC2D	AB		C	Connector(24pin)	[CNPIN]
188	QCNCM2525SC3J	AH		C	Connector(30pin)	[CNPRT]
189	QCNCM7014SC1B	AD		C	Connector(12pin)	[CNPW]
190	QCNCM7014SC0H	AB		C	Connector(8pin)	[CNSEN]
191	QCNCM2401SC0B	AA		C	Connector(2pin)	[CNSP]
192	QCNCM7014SC0B	AD		C	Connector(2pin)	[CNSTP]
193	QCNCM7014SC0D	AB		C	Connector(4pin)	[CNTXM]
194	VHDSR104///-1	AF		B	Diode(SR104)	[D1]
195	VHDSR104///-1	AF		B	Diode(SR104)	[D2]
196	VHDSR104///-1	AF		B	Diode(SR104)	[D3]
197	VHDSR104///-1	AF		B	Diode(SR104)	[D4]
198	VHDDAP202U/-1	AB		B	Diode(DAP202U)	[D5]
199	VHDDA204K//1	AC		B	Diode(DA204K)	[D100]
200	VHD1SS355//1	AB		B	Diode(1SS355)	[D101]
201	VHDHRW0502A-1	AD		B	Diode(HRW0502A)	[D102]
202	VHDHRW0502A-1	AD		B	Diode(HRW0502A)	[D103]
203	VHDHRW0502A-1	AD		B	Diode(HRW0502A)	[D104]
204	VHDHRW0502A-1	AD		B	Diode(HRW0502A)	[D105]
205	VHDHRW0502A-1	AD		B	Diode(HRW0502A)	[D106]
206	VHDHRW0502A-1	AD		B	Diode(HRW0502A)	[D107]
207	VHDHRW0502A-1	AD		B	Diode(HRW0502A)	[D108]
208	VHDHRW0502A-1	AD		B	Diode(HRW0502A)	[D109]
209	VHDHRW0502A-1	AD		B	Diode(HRW0502A)	[D112]
210	VHDHRW0502A-1	AD		B	Diode(HRW0502A)	[D115]
211	VHDDA204K//1	AC		B	Diode(DA204K)	[D120]
212	VHDHRW0502A-1	AD		B	Diode(HRW0502A)	[D121]
213	VHDHRW0502A-1	AD		B	Diode(HRW0502A)	[D122]
214	VHDHRW0502A-1	AD		B	Diode(HRW0502A)	[D123]
215	VHDHRW0502A-1	AD		B	Diode(HRW0502A)	[D124]
216	VHDHRW0502A-1	AD		B	Diode(HRW0502A)	[D125]
217	VHDHRW0502A-1	AD		B	Diode(HRW0502A)	[D126]
218	VHDHRW0502A-1	AD		B	Diode(HRW0502A)	[D127]
219	VHDHRW0502A-1	AD		B	Diode(HRW0502A)	[D128]
220	VHDHRW0502A-1	AD		B	Diode(HRW0502A)	[D133]
221	VHDHRW0502A-1	AD		B	Diode(HRW0502A)	[D139]
222	VHDHRW0502A-1	AD		B	Diode(HRW0502A)	[D140]
223	VHD1SS355//1	AB		B	Diode(1SS355)	[D141]
224	VHDHRW0502A-1	AD		B	Diode(HRW0502A)	[D142]
225	VHDHRW0502A-1	AD		B	Diode(HRW0502A)	[D145]
226	VHD1SS355//1	AB		B	Diode(1SS355)	[D500]
227	VHD1SS355//1	AB		B	Diode(1SS355)	[D501]
228	VHVICPS10//1	AG		B	Varistor	[F100]
229	VHVICPS18//1	AE		B	Varistor	[F101]
230	VHIBU4066BCF1	AD		B	IC,ANALOG SW(BU4066)	[IC1]
231	VHINJM2904M-1	AE		B	IC,DUAL OP AMP.(NJM2904M)	[IC2]
232	VHILH5116NA10	AL		B	IC,16Kbit SRAM(LH5116NA-10)	[IC3]
233	QSOCZ2066SC42	AP		C	IC Socket(42pin)	[IC4]
234	VHI27160FAB0C	BQ	N	B	IC,16Mbit EPROM(16MB)	[IC4]
235	VHIHD74HC04FM	AC		B	IC,HEX INVERTER(74HC04)	[IC5]
236	VHILC82103/-1	BA		B	IC,IMAGE SIGNAL PROCESSOR(LC82103)	[IC6]
237	VHILB1845//1	AY		B	IC, Motor Driver(LB1845)	[IC7]
238	VHIHD74HC157F	AH		B	IC,QUAD2-TO-10ATASELECTORS(74HC157)	[IC8]
239	VHI1M16E//J-6	AZ		B	IC,16Mbit DRAM(HY5118164)	[IC9]
240	VHILR38292/-1	AY		B	IC, Gate Array(B)(LR38292)	[IC10]

NO.	PARTS CODE	PRICE RANK	NEW MARK	PART RANK	DESCRIPTION	
[15] Control PWB unit						
241	VHIBA10393F-1	AC		B	IC,COMPARATOR(BA10393F)	[IC11]
242	VHIHD813201F1	BE		B	IC,IDP201(CODEC)(HD813201F)	[IC12]
243	VHIHD74HC32FM	AC		B	IC,QUADRUPLE 2-INPUT OR GATE(74HC32)	[IC13]
244	VHI74VHC04F-1	AE		B	IC,HEX INVERTER(74VHC04)	[IC14]
245	VHIHD74LV08T1	AE		B	IC,QUADRUPLE 2-INPUT AND GATE(74LV08A)	[IC15]
246	VHI1M16E//J-6	AZ		B	IC,16Mbit DRAM(HY5118164)	[IC16]
247	VHILZ9FJ59/-1	AX		B	IC,Gate Array(A)(LZ9FJ59)	[IC17]
248	VHIHD74LS374F	AF		B	IC,OCTAL D-TYPE FLIP-FLOPS(HD74LS374)	[IC18]
249	VHIHD74HC74FM	AD		B	IC,DUAL D-TYPE FLIP-FLOPS(74HC74)	[IC19]
250	VHIHD74LS244F	AF		B	IC,OCTAL BUFFERS(HD74LS244)	[IC20]
251	VHIW24010S7LE	AZ		B	IC,1Mbit SRAM(W24010S-70L)	[IC21]
252	VHIHD74HC14FM	AF		B	IC,SCHMITT-TRIGER INVERTER(74HC14)	[IC22]
253	VHIM65761FP-1	BD	N	B	IC,QM-CODER LSI(M65761FP)	[IC23]
254	VHIHCF4053M1T	AG		B	IC,2ch. ANALOG MULTIPLEXER(HCF4053)	[IC25]
255	VHIHD74HC08FM	AF		B	IC,QUADRUPLE 2-INPUT AND GATE(74HC08)	[IC26]
256	VHIHD7021606A	BE		B	IC,CPU SH-1(MASK)(SH7021)	[IC27]
257	VHIHD74HC08FM	AF		B	IC,QUADRUPLE 2-INPUT AND GATE(74HC08)	[IC28]
258	VHISM8578BV-1	AK		B	IC,Real Time clock(SM8578BV)	[IC30]
259	VHINJM2113M-1	AG		B	IC,SPEAKER AMP.(NJM2113M)	[IC33]
260	VHIHD74HC14FM	AF		B	IC,SCHMITT-TRIGER INVERTER(74HC14)	[IC34]
261	VHI74VHC393FT	AK		B	IC,DUAL D-TYPE FLIP-FLOPS(74VHC393)	[IC35]
262	VHIW24010S7LE	AZ		B	IC,1Mbit SRAM(W24010S-70L)	[IC36]
263	VHIPST596CMT1	AF		B	IC,SYSTEM RESET(PST596)	[IC37]
264	VHIR288F26/-1	BV	N	B	IC,33600bps FAX MODEM(R288F)	[IC41]
265	VHITC7S04FU-1	AD		B	IC,INVERTER(TC7S04FU)	[IC42]
266	VHINJM2902M-1	AF		B	IC,QUADRUPLE OP AMP.(NJM2902M)	[IC43]
267	VHINJM2904M-1	AE		B	IC,DUAL OP AMP.(NJM2904M)	[IC44]
268	VHINJM78M12-1	AG	N	B	IC,REGULATOR(NJM78M12)	[IC45]
269	VHITC7S00FU-1	AE		B	IC,NAND GATE(TC7S00FU)	[IC46]
270	VHIAD8051//1	AN		B	IC,OP AMP.(AD8051)	[IC100]
271	VHITC74HCU04F	AE		B	IC,INVERTER(74HCU04)	[IC101]
272	VHINJM78L05-1	AE		B	IC,REGULATOR(NJM78L05UA)	[IC500]
273	VRS-TS2AD000J	AA		C	Resistor(1/10W 0Ω ±5%)	[L100]
274	VRS-TS2AD000J	AA		C	Resistor(1/10W 0Ω ±5%)	[L101]
275	VRS-TS2AD100J	AA		C	Resistor(1/10W 10Ω ±5%)	[L103]
276	VRS-TS2AD000J	AA		C	Resistor(1/10W 0Ω ±5%)	[L104]
277	VP-1M1R0J0000	AC	N	C	Coil(1μH)	[L500]
278	VRS-TS2AD000J	AA		C	Resistor(1/10W 0Ω ±5%)	[L501]
279	VRS-TS2AD000J	AA		C	Resistor(1/10W 0Ω ±5%)	[L502]
280	VS2SD1164//1	AE		B	Transistor(2SD1164)	[Q1]
281	VS2SD1664Q/-1	AD		B	Transistor(2SD1664Q)	[Q100]
282	VS2SA1037KR-1	AB		C	Transistor(2SA1037K)	[Q101]
283	VSDTC114EK/-1	AB		B	Transistor(DTC114EK)	[Q102]
284	VSDTC114EK/-1	AB		B	Transistor(DTC114EK)	[Q103]
285	VSDTC114EK/-1	AB		B	Transistor(DTC114EK)	[Q104]
286	VSDTC114EK/-1	AB		B	Transistor(DTC114EK)	[Q105]
287	VSDTA114EK/-1	AB		B	Transistor(DTA114EK)	[Q106]
288	VSDTA114EK/-1	AB		B	Transistor(DTA114EK)	[Q107]
289	VSDTC114EK/-1	AB		B	Transistor(DTC114EK)	[Q500]
290	VSDTC114EK/-1	AB		B	Transistor(DTC114EK)	[Q501]
291	VSDTC114EK/-1	AB		B	Transistor(DTC114EK)	[Q502]
292	VRS-HT3AAR47J	AC		C	Resistor(1W 0.47Ω ±5%)	[R1]
293	VRS-HT3AAR47J	AC		C	Resistor(1W 0.47Ω ±5%)	[R2]
294	VRD-HT2HY910J	AA		C	Resistor(1/2W 91Ω ±5%)	[R4]
295	VRD-HT2HY910J	AA		C	Resistor(1/2W 91Ω ±5%)	[R5]
296	VRD-HT2EY000J	AA		C	Resistor(1/4W 0Ω ±5%)	[R6]
297	VRS-TS2AD103J	AA		C	Resistor(1/10W 10KΩ ±5%)	[R101]
298	VRS-TS2AD000J	AA		C	Resistor(1/10W 0Ω ±5%)	[R102]
299	VRS-TS2AD000J	AA		C	Resistor(1/10W 0Ω ±5%)	[R103]
300	VRS-TP2BD222J	AA		C	Resistor(1/8W 2.2KΩ ±5%)	[R104]
301	VRS-TS2AD000J	AA		C	Resistor(1/10W 0Ω ±5%)	[R105]
302	VRS-TS2AD271J	AA		C	Resistor(1/10W 270Ω ±5%)	[R106]
303	VRS-TS2AD330J	AA		C	Resistor(1/10W 33Ω ±5%)	[R107]
304	VRS-TS2AD103J	AA		C	Resistor(1/10W 10KΩ ±5%)	[R108]
305	VRS-TS2AD103J	AA		C	Resistor(1/10W 10KΩ ±5%)	[R110]
306	VRS-TS2AD101J	AA		C	Resistor(1/10W 100Ω ±5%)	[R112]
307	VRS-TS2AD101J	AA		C	Resistor(1/10W 100Ω ±5%)	[R113]
308	VRS-TS2AD105J	AA		C	Resistor(1/10W 1.0MΩ ±5%)	[R114]
309	VRS-TS2AD100J	AA		C	Resistor(1/10W 10Ω ±5%)	[R115]
310	VRS-TS2AD100J	AA		C	Resistor(1/10W 10Ω ±5%)	[R116]
311	VRS-TS2AD103J	AA		C	Resistor(1/10W 10KΩ ±5%)	[R118]
312	VRS-TS2AD271J	AA		C	Resistor(1/10W 270Ω ±5%)	[R119]
313	VRS-TS2AD332J	AA		C	Resistor(1/10W 3.3KΩ ±5%)	[R120]
314	VRS-TS2AD271J	AA		C	Resistor(1/10W 270Ω ±5%)	[R121]
315	VRS-TS2AD103J	AA		C	Resistor(1/10W 10KΩ ±5%)	[R122]
316	VRS-TS2AD562J	AA		C	Resistor(1/10W 5.6KΩ ±5%)	[R123]
317	VRS-TS2AD000J	AA		C	Resistor(1/10W 0Ω ±5%)	[R124]
318	VRS-TS2AD182J	AA		C	Resistor(1/10W 1.8KΩ ±5%)	[R125]
319	VRS-TS2AD302J	AA		C	Resistor(1/10W 3KΩ ±5%)	[R126]
320	VRS-TS2AD000J	AA		C	Resistor(1/10W 0Ω ±5%)	[R128]

NO.	PARTS CODE	PRICE RANK	NEW MARK	PART RANK	DESCRIPTION	
[15] Control PWB unit						
321	VRS-TS2AD000J	AA		C	Resistor(1/10W 0Ω ±5%)	[R129]
322	VRS-TS2AD000J	AA		C	Resistor(1/10W 0Ω ±5%)	[R131]
323	VRS-TS2AD000J	AA		C	Resistor(1/10W 0Ω ±5%)	[R133]
324	VRS-TS2AD000J	AA		C	Resistor(1/10W 0Ω ±5%)	[R134]
325	VRS-TS2AD102J	AA		C	Resistor(1/10W 1KΩ ±5%)	[R136]
326	VRS-TS2AD000J	AA		C	Resistor(1/10W 0Ω ±5%)	[R137]
327	VRS-TS2AD105J	AA		C	Resistor(1/10W 1.0MΩ ±5%)	[R138]
328	VRS-TS2AD000J	AA		C	Resistor(1/10W 0Ω ±5%)	[R139]
329	VRS-TS2AD000J	AA		C	Resistor(1/10W 0Ω ±5%)	[R140]
330	VRS-TS2AD000J	AA		C	Resistor(1/10W 0Ω ±5%)	[R141]
331	VRS-TS2AD223F	AA		C	Resistor(1/10W 22KΩ ±1%)	[R142]
332	VRS-TS2AD563F	AA		C	Resistor(1/10W 56KΩ ±1%)	[R143]
333	VRS-TS2AD333F	AB		C	Resistor(1/10W 33KΩ ±1%)	[R144]
334	VRS-TS2AD393F	AA		C	Resistor(1/10W 39KΩ ±1%)	[R145]
335	VRS-TS2AD102J	AA		C	Resistor(1/10W 1KΩ ±5%)	[R146]
336	VRS-TS2AD472J	AA		C	Resistor(1/10W 4.7KΩ ±5%)	[R147]
337	VRS-TS2AD563F	AA		C	Resistor(1/10W 56KΩ ±1%)	[R148]
338	VRS-TS2AD102J	AA		C	Resistor(1/10W 1KΩ ±5%)	[R149]
339	VRS-TS2AD330J	AA		C	Resistor(1/10W 33Ω ±5%)	[R158]
340	VRS-TS2AD330J	AA		C	Resistor(1/10W 33Ω ±5%)	[R159]
341	VRS-TS2AD332J	AA		C	Resistor(1/10W 3.3KΩ ±5%)	[R160]
342	VRS-TS2AD102J	AA		C	Resistor(1/10W 1KΩ ±5%)	[R161]
343	VRS-TS2AD271J	AA		C	Resistor(1/10W 270Ω ±5%)	[R162]
344	VRS-TS2AD271J	AA		C	Resistor(1/10W 270Ω ±5%)	[R163]
345	VRS-TS2AD271J	AA		C	Resistor(1/10W 270Ω ±5%)	[R164]
346	VRS-TS2AD271J	AA		C	Resistor(1/10W 270Ω ±5%)	[R165]
347	VRS-TS2AD271J	AA		C	Resistor(1/10W 270Ω ±5%)	[R167]
348	VRS-TS2AD271J	AA		C	Resistor(1/10W 270Ω ±5%)	[R168]
349	VRS-TS2AD271J	AA		C	Resistor(1/10W 270Ω ±5%)	[R169]
350	VRS-TS2AD271J	AA		C	Resistor(1/10W 270Ω ±5%)	[R170]
351	VRS-TS2AD302J	AA		C	Resistor(1/10W 3KΩ ±5%)	[R171]
352	VRS-TS2AD000J	AA		C	Resistor(1/10W 0Ω ±5%)	[R172]
353	VRS-TS2AD271J	AA		C	Resistor(1/10W 270Ω ±5%)	[R173]
354	VRS-TS2AD000J	AA		C	Resistor(1/10W 0Ω ±5%)	[R175]
355	VRS-TS2AD271J	AA		C	Resistor(1/10W 270Ω ±5%)	[R176]
356	VRS-TS2AD271J	AA		C	Resistor(1/10W 270Ω ±5%)	[R177]
357	VRS-TS2AD103J	AA		C	Resistor(1/10W 10KΩ ±5%)	[R178]
358	VRS-TS2AD562J	AA		C	Resistor(1/10W 5.6KΩ ±5%)	[R179]
359	VRS-TS2AD103J	AA		C	Resistor(1/10W 10KΩ ±5%)	[R181]
360	VRS-TS2AD271J	AA		C	Resistor(1/10W 270Ω ±5%)	[R182]
361	VRS-TS2AD103J	AA		C	Resistor(1/10W 10KΩ ±5%)	[R183]
362	VRS-TS2AD472J	AA		C	Resistor(1/10W 4.7KΩ ±5%)	[R184]
363	VRS-TS2AD103J	AA		C	Resistor(1/10W 10KΩ ±5%)	[R185]
364	VRS-TS2AD103J	AA		C	Resistor(1/10W 10KΩ ±5%)	[R186]
365	VRS-TS2AD103J	AA		C	Resistor(1/10W 10KΩ ±5%)	[R188]
366	VRS-TS2AD472J	AA		C	Resistor(1/10W 4.7KΩ ±5%)	[R189]
367	VRS-TS2AD101J	AA		C	Resistor(1/10W 100Ω ±5%)	[R190]
368	VRS-TS2AD101J	AA		C	Resistor(1/10W 100Ω ±5%)	[R191]
369	VRS-TS2AD000J	AA		C	Resistor(1/10W 0Ω ±5%)	[R192]
370	VRS-TS2AD000J	AA		C	Resistor(1/10W 0Ω ±5%)	[R193]
371	VRS-TS2AD000J	AA		C	Resistor(1/10W 0Ω ±5%)	[R194]
372	VRS-TS2AD000J	AA		C	Resistor(1/10W 0Ω ±5%)	[R195]
373	VRS-TS2AD000J	AA		C	Resistor(1/10W 0Ω ±5%)	[R196]
374	VRS-TS2AD472J	AA		C	Resistor(1/10W 4.7KΩ ±5%)	[R197]
375	VRS-TS2AD472J	AA		C	Resistor(1/10W 4.7KΩ ±5%)	[R198]
376	VRS-TS2AD000J	AA		C	Resistor(1/10W 0Ω ±5%)	[R199]
377	VRS-TS2AD471J	AA		C	Resistor(1/10W 470Ω ±5%)	[R200]
378	VRS-TS2AD000J	AA		C	Resistor(1/10W 0Ω ±5%)	[R201]
379	VRS-TS2AD103J	AA		C	Resistor(1/10W 10KΩ ±5%)	[R202]
380	VRS-TS2AD472J	AA		C	Resistor(1/10W 4.7KΩ ±5%)	[R203]
381	VRS-TS2AD331J	AA		C	Resistor(1/10W 330Ω ±5%)	[R204]
382	VRS-TS2AD330J	AA		C	Resistor(1/10W 33Ω ±5%)	[R205]
383	VRS-TS2AD472J	AA		C	Resistor(1/10W 4.7KΩ ±5%)	[R206]
384	VRS-TS2AD472J	AA		C	Resistor(1/10W 4.7KΩ ±5%)	[R207]
385	VRS-TS2AD472J	AA		C	Resistor(1/10W 4.7KΩ ±5%)	[R208]
386	VRS-TS2AD101J	AA		C	Resistor(1/10W 100Ω ±5%)	[R209]
387	VRS-TS2AD271J	AA		C	Resistor(1/10W 270Ω ±5%)	[R210]
388	VRS-TS2AD332J	AA		C	Resistor(1/10W 3.3KΩ ±5%)	[R211]
389	VRS-TS2AD332J	AA		C	Resistor(1/10W 3.3KΩ ±5%)	[R212]
390	VRS-TS2AD332J	AA		C	Resistor(1/10W 3.3KΩ ±5%)	[R213]
391	VRS-TS2AD105J	AA		C	Resistor(1/10W 1.0MΩ ±5%)	[R214]
392	VRS-TS2AD561J	AA		C	Resistor(1/10W 270Ω ±5%)	[R215]
393	VRS-TS2AD271J	AA		C	Resistor(1/10W 270Ω ±5%)	[R216]
394	VRS-TS2AD271J	AA		C	Resistor(1/10W 150Ω ±5%)	[R217]
395	VRS-TS2AD151J	AA		C	Resistor(1/10W 150Ω ±5%)	[R218]
396	VRS-TS2AD151J	AA		C	Resistor(1/10W 150Ω ±5%)	[R219]
397	VRS-TS2AD151J	AA		C	Resistor(1/10W 150Ω ±5%)	[R220]
398	VRS-TS2AD103J	AA		C	Resistor(1/10W 10KΩ ±5%)	[R222]
399	VRS-TS2AD000J	AA		C	Resistor(1/10W 0Ω ±5%)	[R223]
400	VRS-TS2AD271J	AA		C	Resistor(1/10W 270Ω ±5%)	[R224]

NO.	PARTS CODE	PRICE RANK	NEW MARK	PART RANK	DESCRIPTION	
[15] Control PWB unit						
401	VRS-TS2AD271J	AA		C	Resistor(1/10W 270Ω ±5%)	[R225]
402	VRS-TS2AD000J	AA		C	Resistor(1/10W 0Ω ±5%)	[R226]
403	VRS-TS2AD000J	AA		C	Resistor(1/10W 0Ω ±5%)	[R227]
404	VRS-TS2AD000J	AA		C	Resistor(1/10W 0Ω ±5%)	[R228]
405	VRS-TS2AD000J	AA		C	Resistor(1/10W 0Ω ±5%)	[R229]
406	VRS-TS2AD000J	AA		C	Resistor(1/10W 0Ω ±5%)	[R230]
407	VRS-TS2AD103J	AA		C	Resistor(1/10W 10KΩ ±5%)	[R233]
408	VRS-TS2AD000J	AA		C	Resistor(1/10W 0Ω ±5%)	[R234]
409	VRS-TS2AD103J	AA		C	Resistor(1/10W 10KΩ ±5%)	[R235]
410	VRS-TS2AD000J	AA		C	Resistor(1/10W 0Ω ±5%)	[R236]
411	VRS-TS2AD000J	AA		C	Resistor(1/10W 0Ω ±5%)	[R237]
412	VRS-TS2AD000J	AA		C	Resistor(1/10W 0Ω ±5%)	[R238]
413	VRS-TS2AD103J	AA		C	Resistor(1/10W 10KΩ ±5%)	[R239]
414	VRS-TS2AD103J	AA		C	Resistor(1/10W 10KΩ ±5%)	[R240]
415	VRS-TS2AD000J	AA		C	Resistor(1/10W 0Ω ±5%)	[R241]
416	VRS-TS2AD000J	AA		C	Resistor(1/10W 0Ω ±5%)	[R242]
417	VRS-TS2AD000J	AA		C	Resistor(1/10W 0Ω ±5%)	[R243]
418	VRS-TS2AD472J	AA		C	Resistor(1/10W 4.7KΩ ±5%)	[R244]
419	VRS-TS2AD000J	AA		C	Resistor(1/10W 0Ω ±5%)	[R245]
420	VRS-TS2AD103J	AA		C	Resistor(1/10W 10KΩ ±5%)	[R246]
421	VRS-TS2AD103J	AA		C	Resistor(1/10W 10KΩ ±5%)	[R247]
422	VRS-TS2AD103J	AA		C	Resistor(1/10W 10KΩ ±5%)	[R248]
423	VRS-TS2AD103J	AA		C	Resistor(1/10W 10KΩ ±5%)	[R249]
424	VRS-TS2AD472J	AA		C	Resistor(1/10W 4.7KΩ ±5%)	[R250]
425	VRS-TS2AD203J	AA		C	Resistor(1/10W 20KΩ ±5%)	[R251]
426	VRS-TS2AD101J	AA		C	Resistor(1/10W 100Ω ±5%)	[R254]
427	VRS-TS2AD101J	AA		C	Resistor(1/10W 100Ω ±5%)	[R255]
428	VRS-TS2AD472J	AA		C	Resistor(1/10W 4.7KΩ ±5%)	[R256]
429	VRS-TS2AD472J	AA		C	Resistor(1/10W 4.7KΩ ±5%)	[R257]
430	VRS-TS2AD472J	AA		C	Resistor(1/10W 4.7KΩ ±5%)	[R258]
431	VRS-TS2AD000J	AA		C	Resistor(1/10W 0Ω ±5%)	[R260]
432	VRS-TS2AD000J	AA		C	Resistor(1/10W 0Ω ±5%)	[R262]
433	VRS-TS2AD000J	AA		C	Resistor(1/10W 0Ω ±5%)	[R263]
434	VRS-TS2AD222J	AA		C	Resistor(1/10W 2.2KΩ ±5%)	[R264]
435	VRS-TS2AD000J	AA		C	Resistor(1/10W 0Ω ±5%)	[R266]
436	VRS-TS2AD000J	AA		C	Resistor(1/10W 0Ω ±5%)	[R267]
437	VRS-TS2AD103J	AA		C	Resistor(1/10W 10KΩ ±5%)	[R268]
438	VRS-TS2AD103J	AA		C	Resistor(1/10W 10KΩ ±5%)	[R269]
439	VRS-TS2AD183J	AA		C	Resistor(1/10W 18KΩ ±5%)	[R290]
440	VRS-TS2AD000J	AA		C	Resistor(1/10W 0Ω ±5%)	[R291]
441	VRS-TS2AD183J	AA		C	Resistor(1/10W 18KΩ ±5%)	[R292]
442	VRS-TS2AD103J	AA		C	Resistor(1/10W 10KΩ ±5%)	[R293]
443	VRS-TS2AD103J	AA		C	Resistor(1/10W 10KΩ ±5%)	[R294]
444	VRS-TS2AD203J	AA		C	Resistor(1/10W 20KΩ ±5%)	[R295]
445	VRS-TS2AD203J	AA		C	Resistor(1/10W 20KΩ ±5%)	[R296]
446	VRS-TS2AD102J	AA		C	Resistor(1/10W 1KΩ ±5%)	[R297]
447	VRS-TS2AD103J	AA		C	Resistor(1/10W 10KΩ ±5%)	[R299]
448	VRS-TS2AD000J	AA		C	Resistor(1/10W 0Ω ±5%)	[R300]
449	VRS-TS2AD472J	AA		C	Resistor(1/10W 4.7KΩ ±5%)	[R301]
450	VRS-TS2AD000J	AA		C	Resistor(1/10W 0Ω ±5%)	[R302]
451	VRS-TS2AD472J	AA		C	Resistor(1/10W 4.7KΩ ±5%)	[R305]
452	VRS-TS2AD561J	AA		C	Resistor(1/10W 560Ω ±5%)	[R307]
453	VRS-TS2AD472J	AA		C	Resistor(1/10W 4.7KΩ ±5%)	[R310]
454	VRS-TS2AD472J	AA		C	Resistor(1/10W 4.7KΩ ±5%)	[R314]
455	VRS-TS2AD472J	AA		C	Resistor(1/10W 4.7KΩ ±5%)	[R315]
456	VRS-TS2AD472J	AA		C	Resistor(1/10W 4.7KΩ ±5%)	[R316]
457	VRS-TS2AD000J	AA		C	Resistor(1/10W 0Ω ±5%)	[R317]
458	VRS-TS2AD100J	AA		C	Resistor(1/10W 10Ω ±5%)	[R318]
459	VRS-TS2AD100J	AA		C	Resistor(1/10W 10Ω ±5%)	[R319]
460	VRS-TS2AD103J	AA		C	Resistor(1/10W 10KΩ ±5%)	[R320]
461	VRS-TS2AD103J	AA		C	Resistor(1/10W 10KΩ ±5%)	[R321]
462	VRS-TS2AD103J	AA		C	Resistor(1/10W 10KΩ ±5%)	[R324]
463	VRS-TS2AD472J	AA		C	Resistor(1/10W 4.7KΩ ±5%)	[R325]
464	VRS-TS2AD103J	AA		C	Resistor(1/10W 10KΩ ±5%)	[R328]
465	VRS-TS2AD562J	AA		C	Resistor(1/10W 5.6KΩ ±5%)	[R329]
466	VRS-TS2AD154J	AA		C	Resistor(1/10W 150KΩ ±5%)	[R360]
467	VRS-TS2AD302J	AA		C	Resistor(1/10W 3KΩ ±5%)	[R363]
468	VRS-TS2AD103J	AA		C	Resistor(1/10W 10KΩ ±5%)	[R364]
469	VRS-TS2AD104J	AA		C	Resistor(1/10W 100KΩ ±5%)	[R365]
470	VRS-TS2AD103J	AA		C	Resistor(1/10W 10KΩ ±5%)	[R367]
471	VRS-TS2AD471J	AA		C	Resistor(1/10W 470Ω ±5%)	[R368]
472	VRS-TS2AD102J	AA		C	Resistor(1/10W 1KΩ ±5%)	[R369]
473	VRS-TS2AD102J	AA		C	Resistor(1/10W 1KΩ ±5%)	[R370]
474	VRS-TS2AD333J	AA		C	Resistor(1/10W 33KΩ ±5%)	[R371]
475	VRS-TS2AD101J	AA		C	Resistor(1/10W 100Ω ±5%)	[R373]
476	VRS-TP2BD000J	AA		C	Resistor(1/8W 0Ω ±5%)	[R374]
477	VRS-TS2AD472J	AA		C	Resistor(1/10W 4.7KΩ ±5%)	[R375]
478	VRS-TS2AD472J	AA		C	Resistor(1/10W 4.7KΩ ±5%)	[R376]
479	VRS-TS2AD102J	AA		C	Resistor(1/10W 1KΩ ±5%)	[R377]
480	VRS-TS2AD000J	AA		C	Resistor(1/10W 0Ω ±5%)	[R378]

NO.	PARTS CODE	PRICE RANK	NEW MARK	PART RANK	DESCRIPTION	
[15] Control PWB unit						
481	VRS-TS2AD000J	AA		C	Resistor(1/10W 0Ω ±5%)	[R379]
482	VRS-TS2AD103J	AA		C	Resistor(1/10W 10KΩ ±5%)	[R380]
483	VRS-TS2AD103J	AA		C	Resistor(1/10W 10KΩ ±5%)	[R381]
484	VRS-TS2AD103J	AA		C	Resistor(1/10W 10KΩ ±5%)	[R382]
485	VRS-TS2AD472J	AA		C	Resistor(1/10W 4.7KΩ ±5%)	[R383]
486	VRS-TS2AD472J	AA		C	Resistor(1/10W 4.7KΩ ±5%)	[R384]
487	VRS-TS2AD472J	AA		C	Resistor(1/10W 4.7KΩ ±5%)	[R385]
488	VRS-TS2AD000J	AA		C	Resistor(1/10W 0Ω ±5%)	[R400]
489	VRS-TS2AD100J	AA		C	Resistor(1/10W 10Ω ±5%)	[R402]
490	VRS-TS2AD101J	AA		C	Resistor(1/10W 100Ω ±5%)	[R404]
491	VRS-TS2AD103J	AA		C	Resistor(1/10W 10KΩ ±5%)	[R406]
492	VRS-TS2AD103J	AA		C	Resistor(1/10W 10KΩ ±5%)	[R407]
493	VRS-TS2AD103J	AA		C	Resistor(1/10W 10KΩ ±5%)	[R408]
494	VRS-TS2AD103J	AA		C	Resistor(1/10W 10KΩ ±5%)	[R409]
495	VRS-TS2AD271J	AA		C	Resistor(1/10W 270Ω ±5%)	[R410]
496	VRS-TS2AD471J	AA		C	Resistor(1/10W 470Ω ±5%)	[R411]
497	VRS-TS2AD471J	AA		C	Resistor(1/10W 470Ω ±5%)	[R412]
498	VRS-TS2AD271J	AA		C	Resistor(1/10W 270Ω ±5%)	[R413]
499	VRS-TS2AD000J	AA		C	Resistor(1/10W 0Ω ±5%)	[R415]
500	VRS-TS2AD472J	AA		C	Resistor(1/10W 4.7KΩ ±5%)	[R416]
501	VRS-TS2AD103J	AA		C	Resistor(1/10W 10KΩ ±5%)	[R419]
502	VRS-TS2AD000J	AA		C	Resistor(1/10W 0Ω ±5%)	[R422]
503	VRS-TS2AD000J	AA		C	Resistor(1/10W 0Ω ±5%)	[R423]
504	VRS-TS2AD330J	AA		C	Resistor(1/10W 33Ω ±5%)	[R424]
505	VRS-TS2AD000J	AA		C	Resistor(1/10W 0Ω ±5%)	[R425]
506	VRS-TS2AD151J	AA		C	Resistor(1/10W 150Ω ±5%)	[R426]
507	VRS-TS2AD000J	AA		C	Resistor(1/10W 0Ω ±5%)	[R427]
508	VRS-TS2AD000J	AA		C	Resistor(1/10W 0Ω ±5%)	[R428]
509	VRS-TS2AD000J	AA		C	Resistor(1/10W 0Ω ±5%)	[R429]
510	VRS-TS2AD100J	AA		C	Resistor(1/10W 10Ω ±5%)	[R501]
511	VRS-TS2AD100J	AA		C	Resistor(1/10W 10Ω ±5%)	[R502]
512	VRS-TS2AD100J	AA		C	Resistor(1/10W 10Ω ±5%)	[R503]
513	VRS-TS2AD100J	AA		C	Resistor(1/10W 10Ω ±5%)	[R504]
514	VRS-TS2AD100J	AA		C	Resistor(1/10W 10Ω ±5%)	[R505]
515	VRS-TS2AD100J	AA		C	Resistor(1/10W 10Ω ±5%)	[R506]
516	VRS-TS2AD100J	AA		C	Resistor(1/10W 10Ω ±5%)	[R507]
517	VRS-TS2AD100J	AA		C	Resistor(1/10W 10Ω ±5%)	[R508]
518	VRS-TS2AD100J	AA		C	Resistor(1/10W 10Ω ±5%)	[R509]
519	VRS-TS2AD100J	AA		C	Resistor(1/10W 10Ω ±5%)	[R510]
520	VRS-TS2AD100J	AA		C	Resistor(1/10W 10Ω ±5%)	[R511]
521	VRS-TS2AD100J	AA		C	Resistor(1/10W 10Ω ±5%)	[R512]
522	VRS-TS2AD100J	AA		C	Resistor(1/10W 10Ω ±5%)	[R513]
523	VRS-TS2AD100J	AA		C	Resistor(1/10W 10Ω ±5%)	[R514]
524	VRS-TS2AD100J	AA		C	Resistor(1/10W 10Ω ±5%)	[R515]
525	VRS-TS2AD100J	AA		C	Resistor(1/10W 10Ω ±5%)	[R516]
526	VRS-TS2AD100J	AA		C	Resistor(1/10W 10Ω ±5%)	[R517]
527	VRS-TS2AD101J	AA		C	Resistor(1/10W 100Ω ±5%)	[R519]
528	VRS-TS2AD103J	AA		C	Resistor(1/10W 10KΩ ±5%)	[R520]
529	VRS-TS2AD103J	AA		C	Resistor(1/10W 10KΩ ±5%)	[R521]
530	VRS-TS2AD103J	AA		C	Resistor(1/10W 10KΩ ±5%)	[R522]
531	VRS-TS2AD103J	AA		C	Resistor(1/10W 10KΩ ±5%)	[R523]
532	VRS-TS2AD103J	AA		C	Resistor(1/10W 10KΩ ±5%)	[R524]
533	VRSTS2AD4422F	AA		C	Resistor(1/10W 44.2KΩ ±1%)	[R525]
534	VRSTS2AD4422F	AA		C	Resistor(1/10W 44.2KΩ ±1%)	[R526]
535	VRSTS2AD4422F	AA		C	Resistor(1/10W 44.2KΩ ±1%)	[R527]
536	VRSTS2AD4422F	AA		C	Resistor(1/10W 44.2KΩ ±1%)	[R528]
537	VRSTS2AD6812F	AA		C	Resistor(1/10W 68.1KΩ ±1%)	[R529]
538	VRSTS2AD1373F	AA		C	Resistor(1/10W 137KΩ ±1%)	[R530]
539	VRS-TS2AD000J	AA		C	Resistor(1/10W 0Ω ±5%)	[R531]
540	VRS-TS2AD333J	AA		C	Resistor(1/10W 33KΩ ±5%)	[R532]
541	VRS-TS2AD333J	AA		C	Resistor(1/10W 33KΩ ±5%)	[R533]
542	VRS-TS2AD000J	AA		C	Resistor(1/10W 0Ω ±5%)	[R534]
543	VRS-TP2BD200J	AA		C	Resistor(1/8W 20Ω ±5%)	[R535]
544	VRS-TS2AD000J	AA		C	Resistor(1/10W 0Ω ±5%)	[R536]
545	VRS-TS2AD000J	AA		C	Resistor(1/10W 0Ω ±5%)	[R537]
546	VRS-TS2AD103J	AA		C	Resistor(1/10W 10KΩ ±5%)	[R538]
547	VRS-TS2AD822J	AA		C	Resistor(1/10W 8.2KΩ ±5%)	[R539]
548	VRS-TS2AD223J	AA		C	Resistor(1/10W 22K ±5%)	[R540]
549	VRS-TS2AD273J	AA		C	Resistor(1/10W 27KΩ ±5%)	[R541]
550	VRS-TS2AD513J	AA		C	Resistor(1/10W 51KΩ ±5%)	[R542]
551	VRS-TS2AD332J	AA		C	Resistor(1/10W 3.3KΩ ±5%)	[R543]
552	VRS-TS2AD153J	AA		C	Resistor(1/10W 15KΩ ±5%)	[R544]
553	VRS-TS2AD223J	AA		C	Resistor(1/10W 22KΩ ±5%)	[R545]
554	VRS-TS2AD273J	AA		C	Resistor(1/10W 27KΩ ±5%)	[R546]
555	VRS-TS2AD113J	AA		C	Resistor(1/10W 11KΩ ±5%)	[R547]
556	VRS-TS2AD223J	AA		C	Resistor(1/10W 22KΩ ±5%)	[R548]
557	VRS-TS2AD332J	AA		C	Resistor(1/10W 3.3KΩ ±5%)	[R549]
558	VRS-TS2AD332J	AA		C	Resistor(1/10W 3.3KΩ ±5%)	[R550]
559	VRS-TS2AD332J	AA		C	Resistor(1/10W 3.3KΩ ±5%)	[R551]
560	VRS-TS2AD101J	AA		C	Resistor(1/10W 100Ω ±5%)	[R552]

NO.	PARTS CODE	PRICE RANK	NEW MARK	PART RANK	DESCRIPTION	
[15] Control PWB unit						
561	VRS-TS2AD101J	AA		C	Resistor(1/10W 100Ω ±5%)	[R553]
562	VRS-TS2AD000J	AA		C	Resistor(1/10W 0Ω ±5%)	[R554]
563	VRS-TS2AD000J	AA		C	Resistor(1/10W 0Ω ±5%)	[R555]
564	RR-TZ3016SCZZ	AA		C	Resistor(33Ωx4)	[RA1]
565	RR-TZ3016SCZZ	AA		C	Resistor(33Ωx4)	[RA2]
566	RR-TZ3016SCZZ	AA		C	Resistor(33Ωx4)	[RA3]
567	RR-TZ3016SCZZ	AA		C	Resistor(33Ωx4)	[RA4]
568	RR-TZ3018SCZZ	AC		C	Block resistor(470Ωx4)	[RA14]
569	RR-TZ3018SCZZ	AC		C	Block resistor(470Ωx4)	[RA15]
570	RCRSZ2150XHZZ	AF		B	Crystal(24.32MHz)	[X1]
571	RCRSZ2158XHZZ	AF		B	Crystal(16.00MHz)	[X2]
572	RCRSZ2151XHZZ	AF		B	Crystal(20.31092MHz)	[X3]
573	RCRSQ2163XHZZ	AN	N	B	Crystal(56.448MHz)	[X4]
574	RCRSZ2152XHZZ	AF		B	Crystal(19.6608MHz)	[X5]
575	RCRSP0074AFZZ	AE		B	Crystal(32.768kHz)	[X6]
	(Unit)					
901	DCEKC489MXHZZ	CL	N	E	Control PWB unit(Within ROM)	
[16] Liu PWB unit						
1	VHVRA391PV6-1	AE		B	Varistor(RA391PV6)	[AR1]
2	QTANZ2042SCZZ	AB		C	Terminal	[ARG]
3	RC-FZ3024SCZZ	AG		C	Capacitor(250WV 0.82μF)	[C1]
4	VCKYPU1HB103K	AA		C	Capacitor(50WV 0.010μF)	[C2]
5	VCKYPU1HF223Z	AA		C	Capacitor(50WV 0.022μF)	[C3]
6	VCEAGA1HW225M	AA		C	Capacitor(50WV 2.2μF)	[C5]
7	VEEAGA1HW225M	AB	N	C	Capacitor(50WV 2.2μF)	[C6]
8	VCKYPU1HB102K	AA		C	Capacitor(50WV 1000PF)	[C7]
9	VCQYNA1HM333K	AA		C	Capacitor(50WV 0.033μF)	[C8]
10	VCKYPU1HB102K	AA		C	Capacitor(50WV 1000PF)	[C9]
11	VCEAGA1HW475M	AA		C	Capacitor(50WV 4.7μF)	[C10]
12	VCEAGA1HW475M	AA		C	Capacitor(50WV 4.7μF)	[C11]
13	VCEAGA1HW475M	AA		C	Capacitor(50WV 4.7μF)	[C12]
14	VCKYPU1HB471K	AA		C	Capacitor(50WV 470PF)	[C15]
15	VCQYNA1HM333K	AA		C	Capacitor(50WV 0.033μF)	[C16]
16	VCEAGA1HW107M	AA		C	Capacitor(50WV 100μF)	[C18]
17	VCKYPU1HF223Z	AA		C	Capacitor(50WV 0.022μF)	[C19]
18	RRLYD3433XHZZ	AH		B	Relay	[CML]
19	QCNCW2500SC0I	AF		C	Connector(9pin)	[CNLIU]
20	VHDDSS133/-1	AA		B	Diode(1SS133)	[D1]
21	VHDDSS133/-1	AA		B	Diode(1SS133)	[D2]
22	VHINJM2904D-1	AG		B	IC,OP AMP.(NJM2904D)	[IC1]
23	VRD-HT2EY100J	AA		C	Resistor(1/4W 10W ±5%)	[J3]
24	QJAKZ2046SCBB	AH		C	Jack(2pin)	[MJI-2]
25	VHPTLP521-1BL	AE		B	Photo coupler(TLP521)	[PC1]
26	VHPTLP627/-1	AH		B	Photo coupler(TLP627)	[PC2]
27	VHPPC814X/-1	AE		B	Photo transistor(PC814X)	[PC3]
28	VS2SD592A-S-1	AK		B	Transistor(2SD592A-S)	[Q1]
29	VS2SD1200FR-1	AE		B	Transistor(2SD1200FR)	[Q2]
30	VS2SA1807-P-1	AE		B	Transistor(2SA1807)	[Q3]
31	VSDTC114ES/-1	AB		B	Transistor(DTC114ES)	[Q4]
32	VSDTC114ES/-1	AB		B	Transistor(DTC114ES)	[Q5]
33	VRD-HT2EY224J	AA		C	Resistor(1/4W 220KΩ ±5%)	[R2]
34	VRD-HT2EY104J	AA		C	Resistor(1/4W 100KΩ ±5%)	[R3]
35	RR-HZ3011SCZZ	AC		C	Resistor(1/2W 4.7Ω ±5%)	[R4]
36	VRS-HT3AA133J	AB		C	Resistor(1W 13KΩ ±5%)	[R5]
37	VRD-HT2HY223J	AA		C	Resistor(1/2W 22KΩ ±5%)	[R6]
38	VRD-HT2EY124J	AA		C	Resistor(1/4W 120KΩ ±5%)	[R7]
39	VRD-HT2EY472J	AA		C	Resistor(1/4W 4.7KΩ ±5%)	[R8]
40	VRD-HT2EY183J	AA		C	Resistor(1/4W 18KΩ ±5%)	[R9]
41	VRD-HT2EY100J	AA		C	Resistor(1/4W 10Ω ±5%)	[R10]
42	VRD-HT2EY303J	AA		C	Resistor(1/4W 30KΩ ±5%)	[R11]
43	VRD-HT2EY910J	AA		C	Resistor(1/4W 91Ω ±5%)	[R12]
44	VRD-HT2EY300J	AA		C	Resistor(1/4W 30Ω ±5%)	[R13]
45	VRD-HT2EY201J	AA		C	Resistor(1/4W 200Ω ±5%)	[R14]
46	VRD-HT2EY621J	AA		C	Resistor(1/4W 620Ω ±5%)	[R15]
47	VRD-HT2EY621J	AA		C	Resistor(1/4W 620Ω ±5%)	[R16]
48	VRD-HT2EY223J	AA		C	Resistor(1/4W 22KΩ ±5%)	[R17]
49	VRD-HT2EY223J	AA		C	Resistor(1/4W 22KΩ ±5%)	[R18]
50	VRD-HT2EY751J	AA		C	Resistor(1/4W 750Ω ±5%)	[R19]
51	VRD-HT2EY223J	AA		C	Resistor(1/4W 22KΩ ±5%)	[R20]
52	VRD-HT2EY332J	AA		C	Resistor(1/4W 3.3KΩ ±5%)	[R21]
53	VRD-HT2EY223J	AA		C	Resistor(1/4W 22KΩ ±5%)	[R22]
54	VRD-HT2EY103J	AA		C	Resistor(1/4W 10KΩ ±5%)	[R24]
55	VRD-HT2EY103J	AA		C	Resistor(1/4W 10KΩ ±5%)	[R26]
56	VHD0R5G4B42-1S	AF		B	Bridge diode(0R5G4B42)	[REC]
57	RTRNZ2163SCZZ	AH		B	Transformer	[T1]

NO.	PARTS CODE	PRICE RANK	NEW MARK	PART RANK	DESCRIPTION
[16] Liu PWB unit					
58	VHVERZV5D471/	AC		B	Varistor(ERZVA5D471) [VA1]
59	VHVERZV5D471/	AC		B	Varistor(ERZVA5D471) [VA2]
60	VHVTN07G101-1	AB		B	Varistor(TNR7G101KT2) [VA3]
61	VHEHZ2C1///-1	AA		B	Zener diode(HZ2C1-TA) [ZD1]
62	VHEHZ2C1///-1	AA		B	Zener diode(HZ2C1-TA) [ZD2]
63	VHEHZ27-1//1	AB		B	Zener diode(HZ27C-1TA) [ZD3]
64	VHE1ZC15///-1	AC		B	Zener diode(1ZC15) [ZD4]
65	VHEMTZJ8R2B-1	AC		B	Zener diode(MTZJ8R2B) [ZD5]
66	VHEHZ2C1///-1	AA		B	Zener diode(HZ2C1-TA) [ZD6]
67	VHEHZ2C1///-1	AA		B	Zener diode(HZ2C1-TA) [ZD7]
	(Unit)				
901	DCEKL471BXH01	AZ		E	LIU PWB unit
[17] Printer PWB unit					
1	VCEAGA1VW476M	AB		C	Capacitor(35WV 47μF) [C1]
2	VCEAGA1CW227M	AB		C	Capacitor(16WV 220μF) [C2]
3	VCKYTV1EF103Z	AA		C	Capacitor(25WV 0.010μF) [C100]
4	VCKYTV1EF103Z	AA		C	Capacitor(25WV 0.010μF) [C101]
5	VCKYTV1EB821K	AC		C	Capacitor(25WV 820PF) [C102]
6	VCKYTV1EF103Z	AA		C	Capacitor(25WV 0.010μF) [C103]
7	VCKYTV1EB102K	AD		C	Capacitor(25WV 1000PF) [C104]
8	VCKYTV1EF103Z	AA		C	Capacitor(25WV 0.010μF) [C105]
9	VCKYTV1EF103Z	AA		C	Capacitor(25WV 0.010μF) [C106]
10	VCKYTV1EF103Z	AA		C	Capacitor(25WV 0.010μF) [C107]
11	VCKYTV1EF103Z	AA		C	Capacitor(25WV 0.010μF) [C108]
12	VCKYTV1EF103Z	AA		C	Capacitor(25WV 0.010μF) [C109]
13	VCKYTV1EF103Z	AA		C	Capacitor(25WV 0.010μF) [C110]
14	VCKYTV1EF103Z	AA		C	Capacitor(25WV 0.010μF) [C111]
15	VCKYTV1EF103Z	AA		C	Capacitor(25WV 0.010μF) [C112]
16	VCKYTV1EF103Z	AA		C	Capacitor(25WV 0.010μF) [C113]
17	VCKYTV1EF103Z	AA		C	Capacitor(25WV 0.010μF) [C114]
18	VCKYTV1EB821K	AC		C	Capacitor(25WV 820PF) [C115]
19	VCKYTV1EF103Z	AA		C	Capacitor(25WV 0.010μF) [C116]
20	VCKYTV1HF104Z	AA		C	Capacitor(50WV 0.1μF) [C119]
21	VCKYTV1EF103Z	AA		C	Capacitor(25WV 0.010μF) [C120]
22	VCKYTV1EF103Z	AA		C	Capacitor(25WV 0.010μF) [C121]
23	VCKYTV1EF103Z	AA		C	Capacitor(25WV 0.010μF) [C122]
24	VCKYTV1EB102K	AD		C	Capacitor(25WV 1000PF) [C123]
25	VCKYTV1EB102K	AD		C	Capacitor(25WV 1000PF) [C125]
26	VCKYTV1EF103Z	AA		C	Capacitor(25WV 0.010μF) [C126]
27	VCKYTV1EB102K	AD		C	Capacitor(25WV 1000PF) [C127]
28	VCKYTV1CF105Z	AB		C	Capacitor(16WV 1μF) [C129]
29	VCCCTV1HH180J	AA		C	Capacitor(50WV 18PF) [C130]
30	VCCCTV1HH180J	AA		C	Capacitor(50WV 18PF) [C131]
31	VCKYTV1HF104Z	AA		C	Capacitor(50WV 0.1μF) [C132]
32	VCKYTV1EB821K	AC		C	Capacitor(25WV 820PF) [C133]
33	VCKYTV1EF103Z	AA		C	Capacitor(25WV 0.010μF) [C134]
34	VCKYTV1EB102K	AD		C	Capacitor(25WV 1000PF) [C137]
35	VCKYTV1EB102K	AD		C	Capacitor(25WV 1000PF) [C138]
36	VCKYTV1EB102K	AD		C	Capacitor(25WV 1000PF) [C139]
37	VCKYTV1EB102K	AD		C	Capacitor(25WV 1000PF) [C140]
38	VCKYTV1EB821K	AC		C	Capacitor(25WV 820PF) [C141]
39	VCKYTV1HF104Z	AA		C	Capacitor(50WV 0.1μF) [C142]
40	VCKYTV1EF333Z	AB		C	Capacitor(25WV 0.033μF) [C143]
41	VCKYTV1HF104Z	AA		C	Capacitor(50WV 0.1μF) [C144]
42	VCKYTV1EB102K	AD		C	Capacitor(25WV 1000PF) [C145]
43	RC-FZ3039XHZZ	AB		C	Capacitor [C147]
44	VCKYTV1HF104Z	AA		C	Capacitor(50WV 0.1μF) [C148]
45	VCKYTV1EB102K	AD		C	Capacitor(25WV 1000PF) [C149]
46	VCKYTV1EB102K	AD		C	Capacitor(25WV 1000PF) [C150]
47	VCKYTV1EF103Z	AA		C	Capacitor(25WV 0.010μF) [C151]
48	QCNCW2527SC3J	AM		C	Connector(30pin) [CN1]
49	QCNCM2484SC0B	AB		C	Connector(2pin) [CN2]
50	QCNCM2584SC0B	AC		C	Connector(2pin) [CN3]
51	QCNCM2584SC1A	AG		C	Connector(11pin) [CN4]
52	QCNCM2584SC0G	AE		C	Connector(7pin) [CN5]
53	QCNCM2584SC0D	AD		C	Connector(4pin) [CN6]
54	QCNCM2484SC0H	AD		C	Connector(8pin) [CN7]
55	QCNCM2584SC0C	AC		C	Connector(3pin) [CN8]
56	QCNCM2584SC0E	AD		C	Connector(5pin) [CN9]
57	QCNCM2498SC0B	AB		C	Connector(2pin) [CN10]
58	QCNCM2584SC1C	AG		C	Connector(13pin) [CN11]
59	QCNCM2498SC0D	AD		C	Connector(4pin) [CN13]
60	QCNCM2401SC0D	AC		C	Connector(4pin) [CN14]
61	QCNCM2585SC0D	AD		C	Connector(4pin) [CN15]
62	VHD1SS226/-1	AB		B	Diode(1SS226) [D100]

NO.	PARTS CODE	PRICE RANK	NEW MARK	PART RANK	DESCRIPTION
[17] Printer PWB unit					
63	VHD1SS355/-1	AB		B	Diode(1SS355) [D101]
64	VHVICPS18/-1	AE		B	Varistor [F100]
65	LPLTM3029XHZZ	AF		C	Heat sink [H1]
66	VHITEA3718SDP	BA		B	IC,MOTOR DRIVER(TEA3718SDP) [IC1]
67	VHIM38073M/-1	BK		B	IC,CPU(M38073E4FP) [IC2]
68	VHIULN2003ADR	AF		B	IC,TRANSISTOR ARRAY(ULN2003A) [IC3]
69	VHITEA3718SDP	BA		B	IC,MOTOR DRIVER(TEA3718SDP) [IC4]
70	VHI74VHC02F-1	AF		B	IC,HCMOS(74VHC02) [IC5]
71	VSDTD123YK/-1	AC		B	Transistor(DTD123YK) [Q100]
72	VSDTB114EK/-1	AD		B	Transistor(DTB114EK) [Q101]
73	VSDTC114YU/-1	AC		B	Transistor(DTC114YU) [Q102]
74	VSDTC114YU/-1	AC		B	Transistor(DTC114YU) [Q103]
75	VSDTC114YU/-1	AC		B	Transistor(DTC114YU) [Q104]
76	VRS-TS2AD472J	AA		C	Resistor(1/10W 4.7KΩ ±5%) [R1]
77	VRS-TS2AD000J	AA		C	Resistor(1/10W 0Ω ±5%) [R2]
78	VRS-TW2HF1R3J	AC		C	Resistor(1/2W 1.3Ω ±5%) [R100]
79	VRS-TW2HFR68J	AC		C	Resistor(1/2W 0.68Ω ±5%) [R101]
80	VRS-TS2AD472J	AA		C	Resistor(1/10W 4.7KΩ ±5%) [R102]
81	VRS-TS2AD563J	AA		C	Resistor(1/10W 56KΩ ±5%) [R103]
82	VRS-TS2AD472J	AA		C	Resistor(1/10W 4.7KΩ ±5%) [R104]
83	VRS-TS2AD472J	AA		C	Resistor(1/10W 4.7KΩ ±5%) [R105]
84	VRS-TS2AD103J	AA		C	Resistor(1/10W 10KΩ ±5%) [R106]
85	VRS-TS2AD472J	AA		C	Resistor(1/10W 4.7KΩ ±5%) [R107]
86	VRS-TS2AD472J	AA		C	Resistor(1/10W 4.7KΩ ±5%) [R108]
87	VRS-TW2EE221J	AB		C	Resistor(1/4W 220Ω ±5%) [R109]
88	VRS-TS2AD473J	AA		C	Resistor(1/10W 47KΩ ±5%) [R110]
89	VRS-TS2AD102J	AA		C	Resistor(1/10W 1KΩ ±5%) [R111]
90	VRS-TS2AD103J	AA		C	Resistor(1/10W 10KΩ ±5%) [R113]
91	VRS-TS2AD103J	AA		C	Resistor(1/10W 10KΩ ±5%) [R114]
92	VRS-TS2AD393J	AA		C	Resistor(1/10W 39KΩ ±5%) [R115]
93	VRS-TS2AD682J	AA		C	Resistor(1/10W 6.8KΩ ±5%) [R116]
94	VRS-TS2AD472J	AA		C	Resistor(1/10W 4.7KΩ ±5%) [R117]
95	VRS-TS2AD103J	AA		C	Resistor(1/10W 10KΩ ±5%) [R118]
96	VRS-TS2AD472J	AA		C	Resistor(1/10W 4.7KΩ ±5%) [R119]
97	VRS-TS2AD103J	AA		C	Resistor(1/10W 10KΩ ±5%) [R120]
98	VRS-TW2EE100J	AB		C	Resistor(1/4W 10Ω ±5%) [R121]
99	VRS-TS2AD103J	AA		C	Resistor(1/10W 10KΩ ±5%) [R122]
100	VRS-TS2AD103J	AA		C	Resistor(1/10W 10KΩ ±5%) [R123]
101	VRS-TS2AD302J	AA		C	Resistor(1/10W 3KΩ ±5%) [R124]
102	VRS-TS2AD000J	AA		C	Resistor(1/10W 0Ω ±5%) [R125]
103	VRS-TW2HF1R3J	AC		C	Resistor(1/2W 1.3Ω ±5%) [R126]
104	VRS-TS2AD102J	AA		C	Resistor(1/10W 1KΩ ±5%) [R127]
105	VRS-TW2HFR68J	AC		C	Resistor(1/2W 0.68Ω ±5%) [R128]
106	VRS-TS2AD563J	AA		C	Resistor(1/10W 56KΩ ±5%) [R129]
107	VRS-TS2AD103J	AA		C	Resistor(1/10W 10KΩ ±5%) [R130]
108	VRS-TS2AD222J	AA		C	Resistor(1/10W 2.2KΩ ±5%) [R131]
109	VRS-TS2AD103J	AA		C	Resistor(1/10W 10KΩ ±5%) [R134]
110	VRS-TS2AD103J	AA		C	Resistor(1/10W 10KΩ ±5%) [R135]
111	VRS-TS2AD103J	AA		C	Resistor(1/10W 10KΩ ±5%) [R136]
112	VRS-TS2AD103J	AA		C	Resistor(1/10W 10KΩ ±5%) [R137]
113	VRS-TS2AD103J	AA		C	Resistor(1/10W 10KΩ ±5%) [R138]
114	VRS-TS2AD103J	AA		C	Resistor(1/10W 10KΩ ±5%) [R139]
115	VRS-TS2AD820J	AA		C	Resistor(1/10W 82Ω ±5%) [R140]
116	VRS-TS2AD272J	AA		C	Resistor(1/10W 2.7KΩ ±5%) [R141]
117	VRS-TS2AD222F	AA		C	Resistor(1/10W 2.2KΩ ±1%) [R142]
118	VRS-TS2AD472J	AA		C	Resistor(1/10W 4.7KΩ ±5%) [R143]
119	VRS-TS2AD103J	AA		C	Resistor(1/10W 10KΩ ±5%) [R144]
120	VRS-TS2AD222J	AA		C	Resistor(1/10W 2.2KΩ ±5%) [R145]
121	VRS-TS2AD103J	AA		C	Resistor(1/10W 10KΩ ±5%) [R146]
122	VRS-TS2AD103J	AA		C	Resistor(1/10W 10KΩ ±5%) [R147]
123	VRS-TS2AD680J	AA		C	Resistor(1/10W 68Ω ±5%) [R148]
124	VRS-TS2AD103J	AA		C	Resistor(1/10W 10KΩ ±5%) [R151]
125	VRS-TS2AD103J	AA		C	Resistor(1/10W 10KΩ ±5%) [R152]
126	VRS-TS2AD103J	AA		C	Resistor(1/10W 10KΩ ±5%) [R153]
127	RR-TZ3019SCZZ	AA		C	Resistor [RA1]
128	RR-TZ3019SCZZ	AA		C	Resistor [RA2]
129	RVR-Z2004SCZZ	AD		B	Variable resistor [VR1]
130	RCRSQ5030XHZZ	AF		B	Crystal(8MHz) [X1]
	(Unit)				
901	DCEKC470BXH01	BR		E	Printer PWB unit
[18] Power supply PWB unit					
1	LANGK8132PAZZ	AC		C	Bracket
2	LANGK8223PAZZ	AE		C	SW bracket
3	LANGK8224PAZZ	AE		C	Inlet bracket
4	PRDAR0331PAZZ	AE		C	Heat sink

NO.	PARTS CODE	PRICE RANK	NEW MARK	PART RANK	DESCRIPTION
[18] Power supply PWB unit					
5	PRDAR0570PAZZ	AK		C	Heat sink
6	RCORF0071PAZZ	AB		C	Ferrite beads [BJ2]
7	RC-FZ138DPAZZ	AE		C	Capacitor(250WV 0.22μF) [C1]
8	RC-FZ137DPAZZ	AE		C	Capacitor(250WV 0.1μF) [C2]
9	RC-QZ0173PAZZ	AC		C	Capacitor(125WV 1000PF) [C3]
10	RC-QZ0173PAZZ	AC		C	Capacitor(125WV 1000PF) [C4]
11	RC-QZ0176PAZZ	AD		C	Capacitor(125WV 4700PF) [C5]
12	RC-EZ0425PAZZ	AR		C	Capacitor(200WV 470μF) [C6]
13	RC-FZ137DPAZZ	AE		C	Capacitor(250WV 0.1μF) [C7]
14	RC-KZ0074PAZZ	AB		C	Capacitor(500WV 470PF) [C8]
15	RC-QZ0226PAZZ	AB		C	Capacitor(50WV 0.01μF) [C9]
16	RC-QZ0227PAZZ	AB		C	Capacitor(50WV 3300PF) [C10]
17	RC-QZS104PARK	AC		C	Capacitor(50WV 0.1μF) [C13]
18	RC-QZS473PARK	AB		C	Capacitor(50WV 0.047μF) [C14]
19	VCEAFU1VM108M	AF		C	Capacitor(35WV 1000μF) [C15]
20	VCEAFU1HM105M	AC		C	Capacitor(50WV 1μF) [C16]
21	VCEAFU1AM228M	AF		C	Capacitor(10WV 2200μF) [C17]
22	RC-QZ0221PAZZ	AD		C	Capacitor(250WV 0.01μF) [C19]
23	VCEAFU1HM105M	AC		C	Capacitor(50WV 1μF) [C21]
24	QPLGZ0587PAZZ	AE		C	Connector(8pin) [CN1]
25	QPLGZ0526PAZZ	AD		C	Connector(3pin) [CN2]
26	QPLGJ2217YAZZ	AC		C	Connector(2pin) [CN3]
27	QPLGJ2672YAZZ	AD		C	Connector(3pin) [CN4]
28	QPLGZ0347PAZZ	AF		C	Connector(12pin) [CN5]
29	QSOCA0030PAZZ	AG		C	AC socket [CNAC]
30	VHD1SS244/-/1	AC		B	Diode(1SS244) [D1]
31	VHDFMXG12S/-1	AG		B	Diode(FMXG12S) [D2]
32	VHDFMB-24M/-1	AF		B	Diode(FMB-24M) [D3]
33	VHDERA2206/-1	AD		B	Diode(ERA22-06) [D4]
34	VHD1SS270A/-1	AA		B	Diode(1SS270A) [D5]
35	VHDD3SBA60/-1	AG		B	Diode(D3SBA60) [DB2]
36	QFS-F0046PAZZ	AD		A	Fuse(125V 4A) [FS1]
37	QFSHA0016PAZZ	AC		C	Fuse-holder [FS1]
38	QFS-F0020PAZZ	AD		A	Fuse(125V 8A) [FS2]
39	QFSHA0016PAZZ	AC		C	Fuse-holder [FS2]
40	QFS-F0046PAZZ	AD		A	Fuse(125V 4A) [FS3]
41	QFSHA0016PAZZ	AC		C	Fuse-holder [FS3]
42	QFS-F0046PAZZ	AD		A	Fuse(125V 4A) [FS4]
43	QFSHA0016PAZZ	AC		C	Fuse-holder [FS4]
44	RH-IX0783PAZZ	AD		B	IC(L5431) [IC1]
45	RH-IX1659PAZZ	AP		B	IC(PQ30RV21) [IC2]
46	RTRNZ0577PACT	AK		C	Line-Filter [L1]
47	VHVC271D10A-1	AD		B	Varistor(ENC271D-10A) [NR1]
48	VHVC271D10A-1	AD		B	Varistor(ENC271D-10A) [NR2]
49	VHVC271D10A-1	AD		B	Varistor(ENC271D-10A) [NR3]
50	QSPGH0007PAZZ	AK		C	Varistor(DSA302A) [NR4]
51	RH-PX0296PAZZ	AF		B	Photo coupler(PC817X2) [PC1]
52	VHRS21MT2/-/1	AK		B	Photo coupler(S21MT2) [PC2]
53	VS2SC1213-C1A	AC		B	Transistor(2SC1213C) [Q2]
54	VSDTC114ESA-1	AC		B	Transistor(DTC114ESA) [Q3]
55	VSDTA114ESA-1	AC		B	Transistor(DTA114ESA) [Q4]
56	VS2SK2185/-/1	AL		B	Transistor(2SK2185) [Q10]
57	VRD-ST2CD474J	AA		C	Resistor(1/6W 470KΩ ±5%) [R1]
58	VRD-ST2CD274J	AB		C	Resistor(1/6W 270KΩ ±5%) [R4]
59	VRD-ST2CD274J	AB		C	Resistor(1/6W 270KΩ ±5%) [R5]
60	VRS-FT3DD220J	AC		C	Resistor(2W 22Ω ±5%) [R6]
61	VRD-ST2HF681J	AB		C	Resistor(1/2W 680Ω ±5%) [R8]
62	RR-NZ0065PAZZ	AB		C	Resistor(1/4W 3.9KΩ) [R9]
63	VRD-ST2CD223J	AA		C	Resistor(1/6W 22KΩ ±5%) [R10]
64	VRD-ST2CD473J	AA		C	Resistor(1/6W 47KΩ ±5%) [R11]
65	RR-XZ0065PAZZ	AC		C	Fusing resistor(1/6W 2.2Ω) [R12]
66	VRD-ST2CD122J	AA		C	Resistor(1/6W 1.2KΩ ±5%) [R13]
67	VRD-ST2CD331J	AA		C	Resistor(1/6W 330Ω ±5%) [R14]
68	VRD-ST2CD473J	AA		C	Resistor(1/6W 47KΩ ±5%) [R15]
69	VRD-ST2CD222J	AA		C	Resistor(1/6W 2.2KΩ ±5%) [R16]
70	VRD-ST2CD223J	AA		C	Resistor(1/6W 22KΩ ±5%) [R18]
71	RR-SZ0074PAZZ	AB		C	Resistor(2W 1KΩ) [R19]
72	RR-SZ0074PAZZ	AB		C	Resistor(2W 1KΩ) [R20]
73	VRD-ST2HF122J	AA		C	Resistor(1/2W 1.2KΩ ±5%) [R21]
74	VRD-ST2HF101J	AA		C	Resistor(1/2W 100Ω ±5%) [R22]
75	VRD-ST2HF104J	AA		C	Resistor(1/2W 100KΩ ±5%) [R24]
76	VRD-ST2CD183J	AA		C	Resistor(1/6W 18KΩ ±5%) [R25]
77	VRD-ST2CD222J	AA		C	Resistor(1/6W 2.2KΩ ±5%) [R26]
78	VRD-ST2CD222J	AA		C	Resistor(1/6W 2.2KΩ ±5%) [R27]
79	VRD-ST2CD222J	AA		C	Resistor(1/6W 2.2KΩ ±5%) [R28]
80	VRD-ST2CD330J	AA		C	Resistor(1/6W 33Ω ±5%) [R29]
81	VRD-ST2CD330J	AA		C	Resistor(1/6W 33Ω ±5%) [R30]
82	RR-XZ0078PAZZ	AC		C	Fusing resistor(1/6W 33Ω) [R35]
83	RR-XZ0076PAZZ	AC		C	Fusing resistor(1/6W 15Ω) [R41]
84	RR-SN2322PA6F	AB		C	Resistor(1/6W 23.2KΩ) [R51]

NO.	PARTS CODE	PRICE RANK	NEW MARK	PART RANK	DESCRIPTION
[18] Power supply PWB unit					
85	RR-NZ0064PAZZ	AB		C	Resistor(1/4W 1.2K Ω) [R52]
86	VRD-ST2CD124J	AB		C	Resistor(1/6W 120K Ω \pm 5%) [R62]
87	RRLYZ0101PAZZ	AK		B	Relay(SDT-SS-124DM) [RL1]
88	VHSTF321S/-1	AG		B	Thyristor(TF321S) [SCR1]
89	VHS03P2M//3	AG		B	Thyristor(03P2M(L)) [SCR2]
90	QSW-C0048PAZZ	AN		C	Switch(AJ7220BK) [SW1]
91	RTRNZ0674PACD	AQ		B	Trans former [T1]
92	VHH11D8R0LA-1	AF		B	Thermistor(NTH11D8R0LA) [TH1]
93	VHSTM1241I/-1	AN		B	Thyristor(TM1241I) [TRC1]
94	RVR-M0390PAZZ	AD		C	Variable resistor [VR1]
95	VHEHVS6B2//1	AC		B	Zener diode(HZS6B2) [ZD1]
96	VHEHVS15-3/-1	AC		B	Zener diode(HZS15-3) [ZD2]
97	VHEHVS6B2//1	AC		B	Zener diode(HZS6B2) [ZD3]
98	VHEHVS27-3/-1	AC		B	Zener diode(HZS27-3) [ZD4]
99	VHEHVS36-1/-1	AC		B	Zener diode(HZS36-1) [ZD5]
100	QLUGZ0008PAZZ	AC		C	SW LUG
B1	LX-BZ0241PAZZ	AA		C	Screw(3x8)
B2	LX-BZ0254PAZZ	AB		C	Screw(3x6)
B3	LX-BZ0273PAZZ	AB		C	Screw(3x6)
B4	LX-BZ0427PAZZ	AB		C	Screw(3x14)
B5	XBSSN30P06000	AA		C	Screw(3x6)
	(Unit)				
901	RDENT2135XHZZ	BM		E	Power supply PWB unit
[19] Operation panel PWB unit					
	(Unit)				
901	DCEKP496AXH03	BC		E	Operation panel PWB unit
[20] High voltage PWB unit					
	(Unit)				
901	0KW4109620201	BR		E	High voltage PWB unit
[21] Toner empty PWB unit					
	(Unit)				
901	0KW4122010202	BD		E	Toner empty PWB unit
[22] 2nd.cassette PWB unit					
1	VCKYPA1HF223Z	AA		C	Capacitor(50WV 0.022 μ F) [C1]
2	QCNCM7014SC0B	AD		C	Connector(2pin) [CN1]
3	QCNCM2584SC1C	AG		C	Connector(13pin) [CN2]
4	QCNCM7014SC1J	AC		C	Connector(10pin) [CN3]
5	QCNCM2498SC0E	AH		C	Connector(5pin) [CN4]
6	VHD1SR139-400	AB	N	B	Diode(1SR139-400) [D1]
7	VHISN74HC157N	AE		B	IC,TTL(74HC157) [IC1]
8	VHPSG206S//1	AG		B	Photo transistor(SG206S) [PC1]
9	VRD-HT2EY153J	AA		C	Resistor(1/4W 15K Ω \pm 5%) [R1]
10	VRD-HT2EY181J	AA		C	Resistor(1/4W 180 Ω \pm 5%) [R2]
11	VRD-HT2EY472J	AA		C	Resistor(1/4W 4.7K Ω \pm 5%) [R3]
12	VRD-HT2EY472J	AA		C	Resistor(1/4W 4.7K Ω \pm 5%) [R4]
13	VRD-HT2EY472J	AA		C	Resistor(1/4W 4.7K Ω \pm 5%) [R5]
14	VRD-HT2EY472J	AA		C	Resistor(1/4W 4.7K Ω \pm 5%) [R6]
15	VRD-HT2EY472J	AA		C	Resistor(1/4W 4.7K Ω \pm 5%) [R7]
16	VRD-HT2EY472J	AA		C	Resistor(1/4W 4.7K Ω \pm 5%) [R8]
	(Unit)				
901	DCEKZ472BXH01	AT	N	E	2nd.cassette PWB unit
[23] Memory PWB unit					
1	VCEAPS226AF1C	AC		C	Capacitor(16WV 22 μ F) [C4]
2	VCEAPS226AF1C	AC		C	Capacitor(16WV 22 μ F) [C9]
3	VCEAPS226AF1C	AC		C	Capacitor(16WV 22 μ F) [C10]

SHARP

COPYRIGHT © 1999 BY SHARP CORPORATION

ALL RIGHTS RESERVED.

No part of this publication may be reproduced, stored in a retrieval system, or transmitted in any form or by any means, electronic, mechanical, photocopying, recording, or otherwise, without prior written permission of the publisher.

SHARP CORPORATION
Communication Systems Group
Quality & Reliability Control Center
Higashihiroshima, Hiroshima 739-0192, Japan
Printed in U.S.A.

A9911-1834SS•IS•T